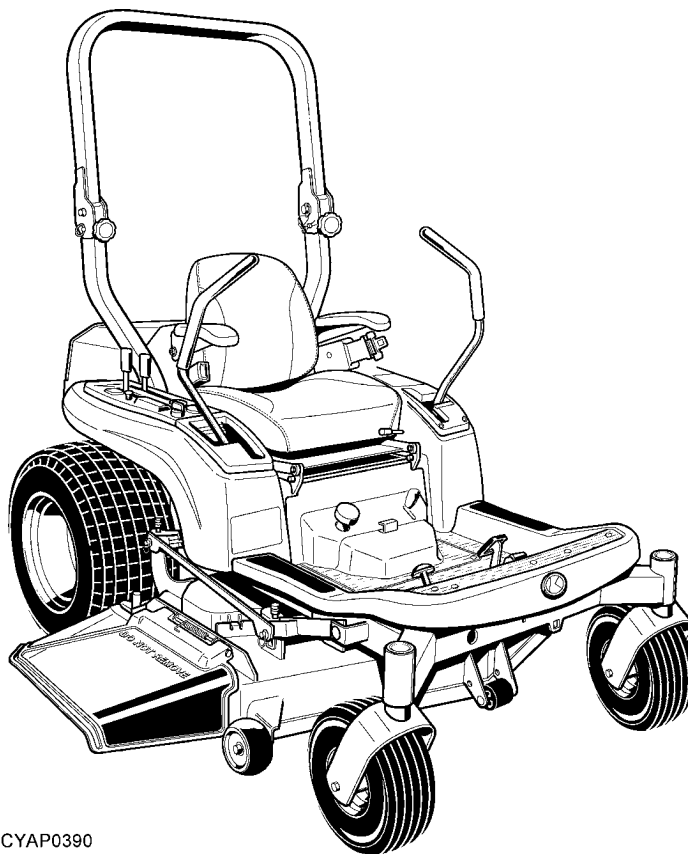


OPERATOR'S MANUAL

ENGLISH

KUBOTA ZERO TURN MOWER

MODEL ZD221



1BDABCYAP0390

K3131-7121-3

READ AND SAVE THIS MANUAL














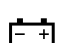





Kubota

ABBREVIATION LIST

Abbreviations	Definitions
API	American Petroleum Institute
PTO	Power Take Off
RH/LH	Right-hand and left-hand sides are determined by facing in the direction of forward travel
ROPS	Roll-Over Protective Structures
rpm	Revolutions Per Minute
SAE	Society of Automotive Engineers

UNIVERSAL SYMBOLS

As a guide to the operation of your tractor, various universal symbols have been utilized on the instruments and controls. The symbols are shown below with an indication of their meaning.

-  Safety Alert Symbol
-  Cutting Height
-  Diesel Fuel
-  Mower-Lowered position
-  Fuel-Level
-  Mower-Raised position
-  (P) Parking Brake
-  Fast
-  Engine-Stop
-  Slow
-  Preheat
-  Engine Speed Control
-  Engine-Run
-  Battery
-  Starter Control
-  Oil Pressure
-  Power Take-Off Clutch Control-Off Position (Disengaged)
-  Coolant Temperature
-  Power Take-Off Clutch Control-On Position (Engaged)

California Proposition 65

⚠ WARNING ⚠

The engine exhaust from this product contains chemicals known to the State of California to cause cancer, birth defects or other reproductive harm.

IMPORTANT

The engine in this machine is not equipped by the manufacturer with a standard spark arrester. It is a violation of California Public Resource Code Section 4442 to use or operate this engine on or near any forest-covered, brush-covered land, or grass-covered land unless the exhaust system is equipped with a working spark arrester meeting state laws. Other states or federal areas may have similar laws.

FOREWORD

You are now the proud owner of a KUBOTA ZERO TURN MOWER. This machine is a product of KUBOTA's quality engineering and manufacturing. It is made of excellent materials and under a rigid quality control system. It will give you long, satisfactory service. To obtain the best use of your machine, please read this manual carefully. It will help you become familiar with the operation of the machine and contains many helpful hints about machine maintenance. It is KUBOTA's policy to utilize, as quickly as possible, every advance in our research. The immediate use of new techniques in the manufacturing of products may cause some small parts of this manual to become outdated. KUBOTA distributors and dealers will have the most up-to-date information. Please do not hesitate to consult them.

SAFETY FIRST

This symbol, the industry's "Safety Alert Symbol", is used throughout this manual and on labels on the machine itself to warn of the possibility of personal injury. Read these instructions carefully. It is essential that you read the instructions and safety regulations before you attempt to assemble or use this unit.



DANGER : Indicates an imminently hazardous situation which, if not avoided, will result in death or serious injury.



WARNING : Indicates a potentially hazardous situation which, if not avoided, could result in death or serious injury.



CAUTION : Indicates a potentially hazardous situation which, if not avoided, may result in minor or moderate injury.

IMPORTANT : Indicates that equipment or property damage could result if instructions are not followed.

NOTE : Gives helpful information.

CONTENTS

- ▲ SAFE OPERATION 1
- SERVICING OF MACHINE 1
- SPECIFICATIONS..... 3
- IMPLEMENT LIMITATIONS 6
- INSTRUMENT PANEL AND CONTROLS..... 7
- MOWER MOUNTING 9
 - MOUNTING THE MOWER DECK 9
 - ADJUSTING THE MOWER 10
 - DISMOUNTING THE MOWER DECK 10
- OPERATING THE ENGINE..... 11
 - MOUNT AND DISMOUNT MACHINE SAFELY 11
 - STARTING THE ENGINE 11
 - Key Switch 13
 - CHECK DURING OPERATING 14
 - Immediately Stop the Engine if: 14
 - Easy Checker (TM)..... 14
 - Fuel Gauge 14
 - Coolant Temperature Gauge 14
 - Hour Meter..... 15
 - COLD WEATHER STARTING 15
 - BLOCK HEATER (OPTION) 15
 - WARMING UP 15
 - Warm-up and Transmission Oil in the Low Temperature Range..... 15
 - JUMP STARTING 16
 - STOPPING THE ENGINE..... 17
 - Engine Stop Lever (Inside the Hood)..... 17
- OPERATING THE MACHINE 18
 - OPERATING NEW MACHINE 18
 - Changing Lubricating Oil for New Machines..... 18
 - Engine Break-in 18
 - Machine Break-in..... 18
 - OPERATING FOLDABLE ROPS 19
 - To Fold the ROPS 19
 - To Raise the ROPS to Upright Position..... 20
 - Adjustment of Foldable ROPS..... 20
 - STARTING 21
 - Operator's Seat..... 21
 - Seat Belt 21
 - Hydraulic Lift Control Pedal 21
 - Throttle Lever..... 22
 - Parking Brake Pedal 22
 - Motion Control Lever 23
 - WORK LIGHT (OPTIONAL KIT) 26

STOPPING.....	26
PARKING.....	26
TRANSPORTING.....	27
OPERATING THE MOWER.....	28
MAKING THE MOST OF YOUR MOWER.....	28
ADJUSTING CUTTING HEIGHT.....	28
OPERATING MOWER.....	30
PTO Lever.....	30
Starting.....	30
TIRES AND WHEELS.....	31
TIRES.....	31
Inflation Pressure.....	31
WHEELS.....	31
Remove and Install Front Caster Wheels.....	32
MAINTENANCE.....	33
SERVICE INTERVALS.....	33
PERIODIC SERVICE CHART LABEL.....	35
LUBRICANTS, FUEL AND COOLANT.....	36
PERIODIC SERVICE.....	38
HOW TO OPEN THE HOOD AND STEP.....	38
Hood.....	38
Step.....	38
HOW TO RAISE THE OPERATOR'S SEAT.....	38
HOW TO OPEN THE LEVER GUIDE.....	39
LIFT-UP POINT.....	40
Front side:.....	40
Rear side:.....	40
DAILY CHECK.....	41
Checking Engine Oil Level.....	42
Checking Amount of Fuel and Refueling.....	42
Checking and Cleaning Radiator Screen to Prevent Overheating.....	43
Checking Tire Pressure.....	43
Inflation Pressure.....	44
Checking Transmission Fluid Level.....	44
Checking Coolant Level.....	45
Lubricating All Grease Fittings.....	45
EVERY 50 HOURS.....	46
Safety Devices.....	46
Checking Gear Box Oil Level.....	47
Lubricating Grease Fittings.....	47
Oiling.....	48
EVERY 100 HOURS.....	50
Cleaning Air Cleaner Primary Element.....	50
Checking Fuel Lines and Fuel Filter.....	50
Adjusting Fan Drive Belt Tension.....	51
Adjusting Parking Brake.....	51
Battery Condition.....	52
EVERY 150 HOURS.....	54

Changing Gear Box Oil.....	54
EVERY 200 HOURS	54
Changing Engine Oil.....	54
Replacing Engine Oil Filter	55
Checking Radiator Hose and Clamp	55
Checking Hydraulic Hose	56
Replacing Transmission Oil Filter [HST].....	56
Adjusting the Motion Control Lever Pivot.....	57
Checking Intake Air Line.....	57
Cleaning Engine Shroud.....	57
EVERY 400 HOURS	58
Changing Transmission Fluid and Rear Axle Gear Case Oil (RH and LH)	58
Cleaning Transmission Strainer.....	59
Replacing Fuel Filter.....	59
Anti-freeze	59
EVERY 1500 HOURS	60
Checking Fuel Injection Nozzle (Injection Pressure)	60
EVERY 3000 HOURS	60
Checking Injection Pump.....	60
EVERY 1 YEAR	60
Replacing Air Cleaner Primary Element and Secondary Element.....	60
Flushing Cooling System and Changing Coolant	60
EVERY 2 YEARS.....	61
Replacing Hydraulic Hose	61
Replacing Fuel Lines	61
Replacing Radiator Hose.....	61
Replacing Mower Gear Box Oil-Seal.....	61
Replacing Intake Air Line.....	61
SERVICE AS REQUIRED.....	62
Replacing Fuses	62
Checking and Replacing Blade.....	62
Mower Belt Replacement.....	64
Bleeding Fuel System.....	64
ADJUSTMENT.....	65
MOTION CONTROL LEVER	65
HST NEUTRAL.....	65
CREEP SPEED	66
MAXIMUM SPEED (FORWARD)	66
MOTION CONTROL LEVER ALIGNMENT	66
MOWER DECK LEVEL.....	67
ANTI-SCALP ROLLERS.....	67
LEVEL MOWER DECK (Side-to-Side)	68
LEVEL MOWER DECK (Front-to-Rear)	69
GENERAL TORQUE SPECIFICATION.....	71
TIGHTENING TORQUE CHART	72
STORAGE	73
MACHINE STORAGE	73
REMOVING THE MACHINE FROM STORAGE.....	73
TROUBLESHOOTING.....	74

ENGINE TROUBLESHOOTING	74
BATTERY TROUBLESHOOTING	75
MACHINE TROUBLESHOOTING	75
MOWER TROUBLESHOOTING.....	76



SAFE OPERATION

Careful operation is your best insurance against an accident. Read and understand this manual carefully before operating the machine. All operators, no matter how much experience they may have had, should read this and other related manuals before operating the machine or any implement attached to it. It is the owner's obligation to instruct all operators in safe operation.

This mowing machine is capable of amputating hands and feet and throwing objects. Failure to observe the following safety instructions could result in serious injury or death.

1. BEFORE OPERATING

1. The ZERO TURN MOWING MACHINE has different steering characteristics than other machines with a steering wheel and does not have a service brake pedal (but, has a parking brake lock pedal that can be used to stop the machine in an emergency. Normal slowing down and stopping is done with the motion control levers.). Read and understand the operators manual before operating the machine. Practice operating machine at low engine speed without mower engaged in an unobstructed area.

2. Know your equipment and its limitations. Read all instructions in this manual before attempting to start and operate the machine.

3. Pay special attention to the warning, caution and danger labels on the machine itself.

4. KUBOTA recommends the use of a Roll Over Protective Structures (ROPS) and seat belt in almost all applications. This combination will reduce the risk of serious injury or death, should the machine be upset.

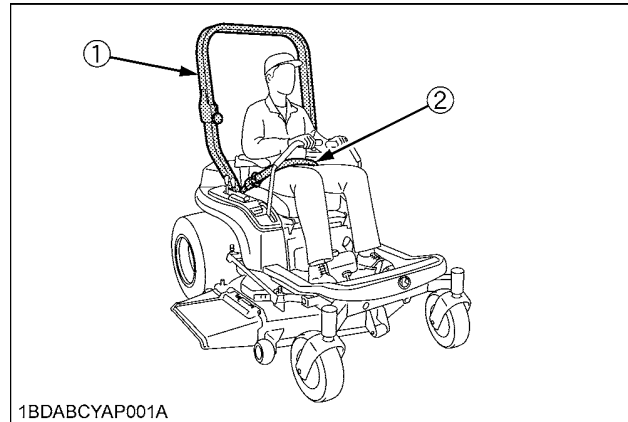
The machine is equipped with a Foldable ROPS, which may be temporarily folded down only when absolutely necessary for areas with height constraints. (There is no operator protection provided by the ROPS in the folded position. For operator safety the ROPS should be placed in the upright and locked position and the seat belt fastened for all other operations.)

If the ROPS is loosened or removed for any reason, make sure that all parts are reinstalled correctly before operating the machine.

Never modify or repair a ROPS because welding, bending, drilling, grinding, or cutting may weaken the structure.

A damaged ROPS structure must be replaced, not repaired or revised.

If any structural member of the ROPS is damaged, replace the entire structure at your local KUBOTA Dealer.



1BDABCYAP001A

(1) ROPS

(2) Seat belt

5. Always use the seat belt when the ROPS is upright. Do not use the seat belt if the ROPS is down or if there is no ROPS. Check the seat belt regularly and replace if frayed or damaged.
6. Do not operate the machine or any attachments while under the influence of alcohol, medication, controlled substances or when fatigued.
7. Do not wear loose, torn, or bulky clothing around machine. The clothing may catch on moving parts or controls, leading to the risk of accident. Wear and use any additional safety items such as hard hat, safety boots or shoes, eye and hearing protection, gloves, etc. As appropriate or required.
8. Do not wear radio or music headphones while operating the machine.
Safe operation requires your full attention.
9. Carefully check the vicinity before operating machine or any implement attached to it. Clear the work area of objects (wires, rocks, etc.) that might be picked up and thrown. Check for overhead clearance which may interfere with a grass catcher.
10. Check brakes and other mechanical parts for correct adjustment and wear. Replace worn or damaged parts promptly. Check the tightness of all nuts and bolts regularly. (For further details, see "PERIODIC SERVICE" and "ADJUSTMENT" section.)
11. Keep all shields and guards in place. Replace any that are damaged or missing.
12. Before allowing other people to use your machine, explain how to operate and have them read this manual before operation.
13. Do not allow any bystanders around or near machine during operation.

14. Do not allow passengers, children or non-qualified operators on the machine at any time. The operator must remain in the machine seat throughout operation.
 15. In addition to the design and configuration of equipment, hazard control and accident prevention are dependent upon the awareness, concern, and prudence of personnel involved in the operation, transport, maintenance of facilities.
 16. Keep the machine and attachments in good operating condition and keep safety devices in place and in proper working condition.
 17. Do not modify the machine. Unauthorized modification may affect the function of the machine, which may result in personal injury.
 18. Use only implements recommended by KUBOTA. Use proper ballast to front or rear of machine to reduce the risk of upsets. Follow the "Safe Operation" procedures, specified in the manuals with equipment.
 19. Keep your machine clean. Accumulations of dirt, grease, and trash can contribute to fires and lead to personal injury.
 20. The exhaust gas from the muffler is very hot. To prevent fire, do not expose dry grass, mowed grass, oil and any other combustible materials to exhaust gas. Use a spark arrester where required. Also keep the engine and muffler clean all the time.
6. Know what is behind you before backing up. Look to the rear before and when backing. Do not mow while in reverse unless absolutely necessary and make sure the area immediately behind you is clear of obstructions or holes and small children. Use extra caution when machine is equipped with Grass Catcher. Your view to the rear is restricted.
 7. When working in groups, always let others know what you are doing ahead of time.
 8. Do not drive machine on streets or highways. Watch for traffic when you cross roads or operate near roads.
 9. Be aware of the mower discharge direction and do not point it at anyone.
 10. When using any attachments, never direct discharge material toward bystanders. Do not allow anyone near the attachments while in operation. Do not mow when bystanders are present in the mowing area.
 11. To reduce fire hazards, keep the engine exhaust area free of grass or leaves.
 12. Be sure rotating blades and engine are stopped and the key is removed before placing hands or feet near blades and cleaning blockages or unclogging chute.
 13. Shut the engine off and wait for all movement to stop before removing grass catcher or unclogging chute.
 14. Always inspect the mower for damage after striking a foreign object. Repair or replace any damaged parts before restarting.
 15. Operate during daylight or in bright artificial light.

2. OPERATING

◆ Starting

1. Always sit in the operator's seat when starting engine or operating levers or controls.
2. Before starting the engine make sure that the motion control levers are in neutral lock, the parking brake is applied, and Power Take Off (PTO) is disengaged (OFF).
3. Do not start engine by shorting across starter terminals. The machine may start in gear and move if normal starting circuitry is bypassed.
4. Do not operate or idle engine in a non-ventilated area. Carbon monoxide gas is colorless, odorless, and deadly.

◆ Working

1. Do not turn sharply when driving at high speed.
2. To avoid tip over, slow down when turning on uneven terrain or before stopping.
3. Do not operate near ditches, holes, embankments, or other terrain, which may collapse under the machine weight. The risk of machine tip over increases when the ground is loose or wet.
4. Park the machine on the firm and level surface.
5. Watch where you are going at all times. Watch for and avoid obstacles. Be alert at curbs, near trees, and other obstructions and hidden hazards.

◆ Children

Tragic accidents can occur if the operator is not alert to the presence of children. Children are attracted to the machine and the mowing activity.

Never assume that children will remain where you last saw them.

1. Keep children out of the mowing area and under the watchful care of another responsible adult.
2. Be alert and turn machine off if children enter the area.
3. Before and when backing, look behind and down for small children.
4. Never carry children. They may fall off and be seriously injured or interfere with safe machine operation.
5. Never allow children to operate the machine, even under adult supervision. Local regulation can restrict the age of the operator.
6. Use extra care when approaching blind corners, shrubs, trees, or other obstructions that might hide children from sight.
7. Do not mow in reverse unless it is absolutely necessary.

◆ Operators, age 60 years and above

Data indicates that operators, age 60 years and above, are involved in a large percentage of machine-related injuries. These operators should evaluate their ability to operate the machine safely enough to protect themselves and others from serious injury.

◆ Operation on slopes

Slopes are major factor related to loss-of-control and tip-over accidents, which can result in severe injury or death. All slopes require extra caution.

If you cannot back up the slope or if you feel uneasy on it, do not mow it.

If the engine stops when operating on a slope apply the parking brake immediately to prevent machine run away.

DO

1. To avoid tip over, operate across the slopes not up and down. Stay off hills and slopes too steep for safe operation.
2. Remove obstacles such as rocks, tree limbs, etc.
3. Stay alert for holes in the terrain and other hidden hazards. Keep away from drop-offs. Uneven terrain could overturn the machine. Tall grass can hide obstacles.
4. Follow the manufacturer's recommendations for wheel weight or counterweights to improve stability.
5. Keep all movement on the slopes slow and gradual. Do not make sudden changes in speed or direction.
6. Avoid starting or stopping on a slope. If tires lose traction, disengage PTO and proceed slowly straight down the slope.
7. Reduce speed and exercise extreme caution on slopes and in sharp turns to prevent tip-over or loss of control.
8. Use special caution when changing direction on slopes. Slow down, and use extra caution when changing direction on a slope.

DO NOT

1. Do not turn on slopes unless necessary. If necessary, turn uphill slowly and gradually.
2. Do not mow near drop-offs, ditches, or embankments. The mower could suddenly turn over if a wheel is over the edge of cliff or ditch, or if an edge caves in.
3. Do not mow on wet grass. Reduced traction could cause sliding and loss of control.
4. Do not try to stabilize the machine by putting your foot on the ground.
5. Do not use grass catcher on steep slopes.
6. Do not start or stop suddenly when going uphill or downhill. Avoid sudden start and stops on slopes.
7. Never "freewheel". Do not let the machine travel downhill with motion control levers at neutral lock position or in neutral.
8. Do not operate machine without the mower deck installed.

◆ Stopping

1. Park the machine on level ground.
2. Make sure that the machine and all attachments have come to a complete stop before dismounting.
3. Before dismounting, apply parking brake, place the motion control levers in their neutral lock positions, disengage the PTO, lower all attachments to the ground, turn off the engine, and remove the key.
4. Do not park the machine on dry grass or leaves.

3. USING THE PTO

1. Before installing or using PTO-driven equipment, read the manufacturer's manual and review the safety labels attached to the equipment.
2. Wait until all moving components have completely stopped before connecting, disconnecting, adjusting, cleaning, or servicing any PTO-driven equipment.
3. Use the PTO with KUBOTA approved attachments.

The speed of PTO:

ZD221 2530 rpm at 3200 engine rpm

4. USING THE LIFT LINK

1. Use lift link only with authorized attachments designed for lift link usage.

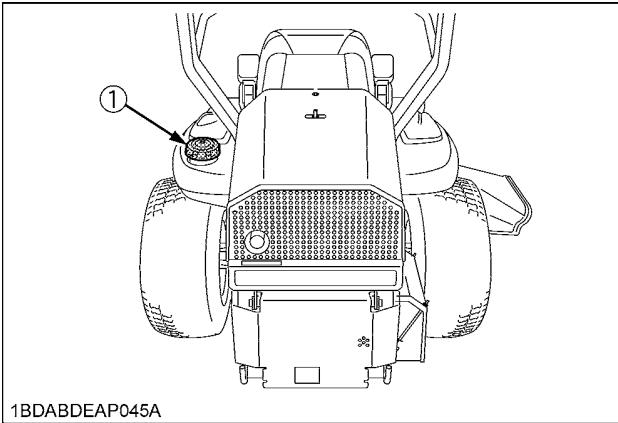
5. TRANSPORTING

1. Disengage power to attachment(s) when transporting or not in use.
2. Do not tow this machine. Use a suitable truck or trailer when transporting on public roads.
3. Use extra care when loading or unloading the machine into a trailer or truck.
4. This machine is not allowed to be used on public roads.

6. SERVICING AND STORAGE

◆ Servicing

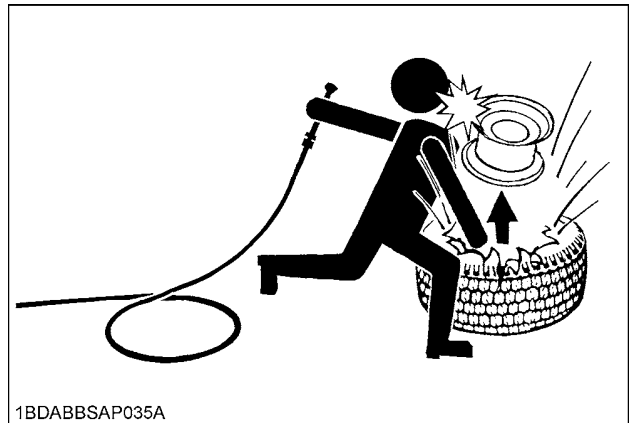
1. Before servicing, park the machine on a firm, level surface and apply the parking brake. Remove the key to prevent accidental start-up.
2. Allow the machine time to cool before touching the engine, muffler, radiator, etc.
3. Always stop the engine before refueling. Avoid spills and overfilling. Wipe up spilled fuel immediately.



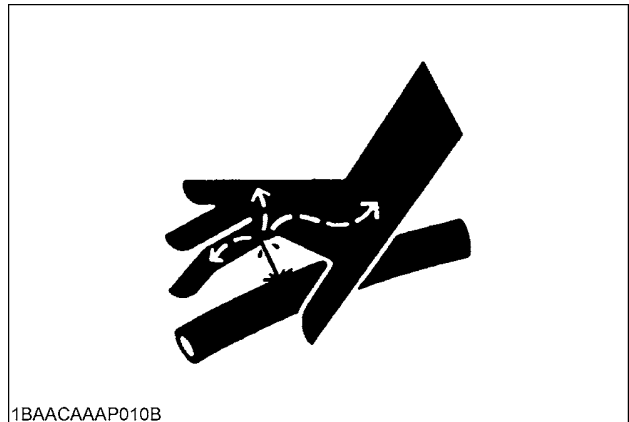
(1) Fuel tank cap

4. Use extra care in handling diesel fuels. They are flammable.
 - (1) Use only an approved container.
 - (2) Do not remove fuel cap or refuel with the engine running. Allow engine to cool before refueling. Do not smoke while refueling or when standing near fuel.
 - (3) Do not refuel the machine indoors and always clean up spilled fuel or oil.
 - (4) Do not store the machine or fuel container inside where there is an open flame, such as in a water heater.
5. Do not smoke when working around battery or when refueling. Keep all sparks and flames away from battery and fuel tank.
A battery, especially when charging, will give off hydrogen and oxygen gases, which can explode and cause serious personal injury.
6. Before "jump starting" a dead battery, read and follow all the instructions.
7. Disconnect the battery's ground cable before working on or near electric components.
8. Do not use or charge the refillable type battery if the fluid level is below the LOWER (lower limit level) mark. Otherwise, the battery component parts may prematurely deteriorate, which may shorten the battery's service life or cause an explosion. Check the fluid level regularly and add distilled water as required so that the fluid level is between the UPPER and LOWER levels.

9. Keep first aid kit and fire extinguisher handy at all times.
10. Do not remove the radiator cap while coolant is hot. When cool, slowly rotate cap to the first stop and allow sufficient time for excess pressure to escape before removing the cap completely. If the machine has a coolant recovery tank, add coolant there instead of the radiator.
11. Do not attempt to mount a tire on a rim unless qualified to do so and all proper safety precautions are followed.
12. Always maintain the correct tire inflation pressure. Do not inflate tires above the recommended pressure shown in the Operator's Manual.

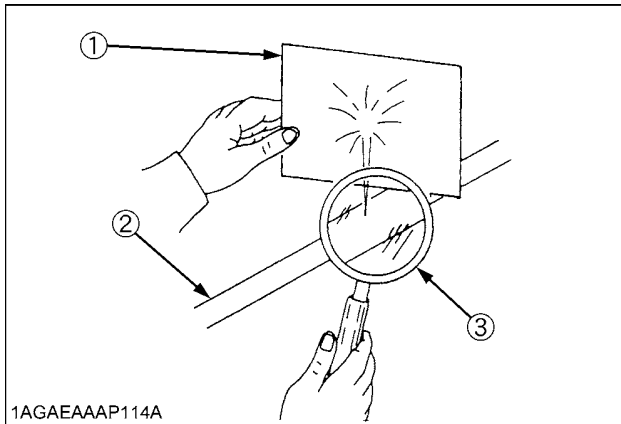


13. Provide adequate support when changing wheels.
14. Make sure that wheel nuts and bolts have been tightened to the specified torque.
15. Escaping hydraulic fluid under pressure has sufficient force to penetrate the skin causing serious personal injury. Before disconnecting lines, be sure to relieve all pressure. Before applying pressure to the system, make sure all connections are tight and that lines, pipes, and hoses are not damaged.



16. Fluid escaping from pinholes may be invisible. Use a piece of cardboard or wood to search for suspected leaks: do not use hands. Use safety goggles or other eye protection.

If injured by escaping fluid, see a medical doctor at once. Serious infection or reaction will result if proper medical treatment is not administered immediately. This fluid can produce gangrene or severe allergic reaction.



1AGAEAAP114A

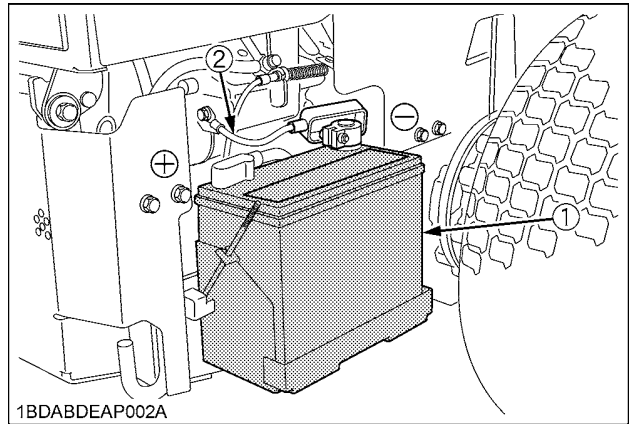
- (1) Cardboard
(2) Hydraulic line
(3) Magnifying glass

17. Do not make adjustments or repairs with the engine running.
18. Keep machine free of grass, leaves, or other debris build-up.
19. Do not change the engine governor setting or overspeed the engine.
20. Do not run a machine inside a closed area.
21. Mower blades are sharp and can cut your hands. Wrap the blade(s) or wear gloves, and use extra caution when servicing them.
22. Keep nuts and bolts, especially blade attachment bolts, tight and keep equipment in good condition.
23. Never tamper with safety devices. Check their operation for proper function regularly.
24. Waste products such as used oil, fuel, coolant, brake fluid, and batteries, can harm the environment, people, pets and wildlife. Please dispose of properly.
25. Do not use beverage containers for waste fluids or other products. Someone, particularly children, may drink them by mistake.
26. Securely support machine or any machine elements with stands or suitable blocking before working underneath. For your safety do not rely on hydraulically supported devices, they may leak down, suddenly drop or be accidentally lowered.
27. See your local Recycling Center or KUBOTA Dealer to learn how to recycle or get rid of waste products.

- A Material Safety Data Sheet (MSDS) provides specific details on chemical products; physical and health hazards, safety procedures, and emergency response techniques. The seller of the chemical products used with your machine is responsible for providing the MSDS for that product upon request.

◆ Storage

1. Keep the machine and supply of fuel in locked storage and remove the ignition key to prevent children or others from playing or tampering with them.
2. To avoid sparks from an accidental short circuit, always disconnect the battery's ground cable (-) first and reconnect it last.

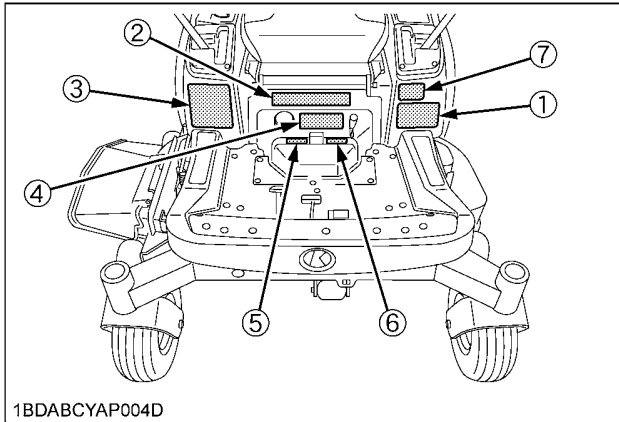


1BDABDEAP002A

- (1) Battery
(2) Ground cable
(+): Positive terminal
(-): Negative terminal

3. To avoid the danger of exhaust fume poisoning, do not operate the engine in a closed building without adequate ventilation.
4. To reduce fire hazards, clean the machine thoroughly before storage. Dry grass and leaves around the engine and muffler may ignite.

7. DANGER, WARNING AND CAUTION LABELS



1BDABCYAP004D

(1) Part No. K3181-6585-0

<p>⚠ WARNING TO AVOID SERIOUS INJURY OR DEATH</p> <ol style="list-style-type: none"> 1. Park the machine on level ground. 2. If necessary to park on an incline. <ol style="list-style-type: none"> ① Stop the machine. ② Apply the parking brake. ③ Stop the engine. <p>If you stop the engine on an incline without applying the parking brake, the machine could move and runaway.</p> <ol style="list-style-type: none"> 3. If the engine stops suddenly during operation, apply the parking brake immediately to prevent machine runaway. 	<p>⚠ ADVERTENCIA PARA EVITAR LESIONES PERSONALES GRAVES O LA MUERTE</p> <ol style="list-style-type: none"> 1. Estacione la máquina en la tierra del nivel. 2. Si es necesario estacionar en una cuesta, <ol style="list-style-type: none"> ① Apagar la máquina. ② Aplique el freno de estacionamiento. ③ Luego apague el motor. <p>Si apaga el motor en una cuesta sin aplicar el freno de estacionamiento, la máquina puede moverse sin control.</p> <ol style="list-style-type: none"> 3. Si la máquina se detiene repentinamente durante la operación, enganche el freno de estacionamiento inmediatamente para evitar la pérdida de control.
--	--

1BDABCQAP093A

(2) Part No. K3271-6585-1

<p>⚠ CAUTION TO AVOID PERSONAL INJURY</p> <ol style="list-style-type: none"> 1. Read and understand the operator's manual before operation. 2. Do not operate this machine unless you are trained. 3. Before allowing other people to use the machine, have them read the operator's manual. 4. Check the tightness of all nuts and bolts regularly. 5. Before starting the engine, make certain that everyone is at a safe distance from the machine. PTO is disengaged and motion control levers are in neutral lock. 6. Remove objects that could be thrown by the blade. 7. Do not operate the machine when children and/or others are around. 	<ol style="list-style-type: none"> 8. Do not carry children or others on the machine at any time. 9. Before dismounting disengage PTO clutch, lower the implement, place motion control levers in neutral lock position, set the parking brake, stop the engine and remove the key. 10. Keep safety devices (guards, shields, and switches) in place, and working. 11. To reduce the fire hazard, keep the exhaust clear of dry grass, dry leaves or other combustible materials. 12. This machine is not for street or highway use. 13. Securely support the machine and implement before working underneath.
--	--

1BDABDEAP038A

(3) Part No. K3271-6581-0

<p>⚠ WARNING TO AVOID SERIOUS INJURY OR DEATH</p> <ol style="list-style-type: none"> 1. Mow across slopes-Not up and down. 2. Use extreme caution when operating on slopes. 3. Loss of traction may occur when operating on slopes. 4. Drive slowly on slopes. 5. Do not operate on wet slopes. 6. Avoid sudden starts. 7. Execute turns slowly. 	
<p>⚠ ADVERTENCIA PARA EVITAR LESIONES PERSONALES GRAVES O LA MUERTE</p> <ol style="list-style-type: none"> 1. Corte el césped de manera transversal en las colinas - No de arriba hacia abajo. 2. Tenga mucho cuidado durante la operación en colinas. 3. Se puede perder tracción durante la operación en colinas. 4. Conduzca lentamente en las colinas. 5. No use la máquina en colinas húmedas. 6. Evite arranques súbitos. 7. Realice las vueltas lentamente. 	

1BDABCYAP064A

1BDABDEAP026A

(4) Part No. K3271-6587-0

<p>⚠ PRECAUCIÓN PARA EVITAR LESIONES PERSONALES</p> <ol style="list-style-type: none"> 1. Lea y entienda el manual del operador antes de efectuar la operación. 2. No ponga en funcionamiento la máquina a menos que esté capacitado para hacerlo. 3. Antes de permitir que otras personas usen la máquina, indíqueles que lean el manual del operador. 4. Verifique con regularidad el apriete de todas las tuercas y pernos. 5. Antes de arrancar el motor, asegúrese de que todos estén a una distancia segura de la máquina. La toma de fuerza debe estar desactivada y las palancas de control de movimiento bloqueadas en neutro. 6. Retire los objetos que pueden ser lanzados por la cuchilla. 7. No opere la máquina cuando hayan niños u otras personas alrededor. 8. No lleve a niños ni a otras personas en la máquina en ningún momento. 9. Antes de desmontar, desenganche el embrague de la toma de fuerza, baje el implemento, cambie a neutro, aplique el freno de estacionamiento, apague el motor y retire la llave. 10. Mantenga los dispositivos de protección/guardas, barreras de protección e interruptores en su lugar y en buen estado de funcionamiento. 11. Para reducir los riesgos de incendio, mantenga el escape exento de hierba seca, hojas secas u otros materiales combustibles. 12. Esta máquina no está diseñada para uso en calles ni carreteras. 13. Use un soporte seguro para la máquina y el implemento antes de trabajar debajo de los mismos.
--

1BDABCYAP065A

(5) Part No. K3131-6568-1

<p>⚠ CAUTION When Engine is running, do not open this cover.</p>

1BDABDEAP024A

(7) Part No. K3271-6571-1

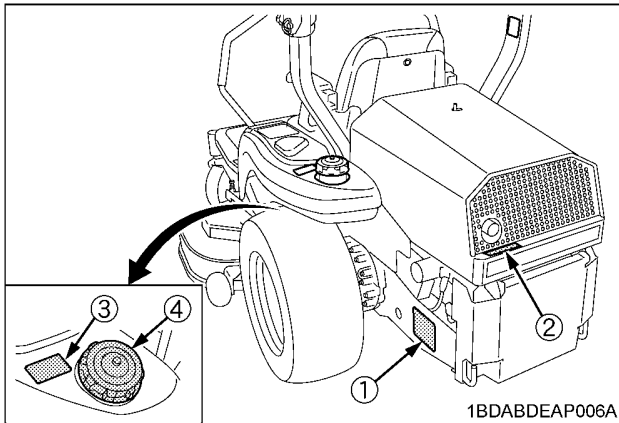
<p>⚠ WARNING Operation of this equipment may create sparks that can start fires around dry vegetation. A spark arrester may be required. The operator should contact local fire agencies for laws or regulations relating to fire prevention requirements.</p>
<p>⚠ ADVERTENCIA La operación de este equipo puede generar chispas que pueden iniciar incendios en cercanías de vegetación seca. Podría requerirse un pararrayes. El operador debería contactar a las agencias de bomberos locales para informarse sobre leyes o normas relacionadas con los requisitos de prevención de incendios.</p>

1BDABCQAP1570

(6) Part No. K3131-6569-1

<p>⚠ PRECAUCIÓN Nunca abra el capó mientras el motor está en funcionamiento.</p>
--


1BDABDEAP025A



1BDABDEAP006A

(1) Part No. K3271-6583-0

(2) Part No. K3271-6532-0



⚠ DANGER
TO AVOID POSSIBLE INJURY OR DEATH FROM A MACHINE RUNAWAY.
 1. Do not start engine by shorting across starter terminals or bypassing the safety start switch. Machine may start in gear and move if normal starting circuitry is bypassed.
 2. Start engine only from operator's seat with motion control levers in neutral lock position and PTO OFF. Never start engine while standing on the ground.

⚠ PELIGRO
PARA EVITAR POSIBLES LESIONES PERSONALES O LA MUERTE DEBIDO A ARRANQUE SÚBITO DE LA MÁQUINA.
 1. No arranque la máquina cortocircuitando los terminales del arrancador ni omita el interruptor de arranque de seguridad. La máquina puede arrancar en un cambio de velocidad y moverse si se omite el circuito de arranque normal.
 2. Arranque el motor solo desde el asiento del operador con las palancas de control de movimiento en la posición de bloqueo neutro y la palanca de toma de fuerza (PTO) en desactivado. Nunca arranque el motor mientras está en el suelo.

1BDABCYAP066A



⚠ CAUTION
HOT EXHAUST

⚠ PRECAUCIÓN
ESCAPE CALIENTE

1BDABCYAP067A

(3) Part No. K3181-6587-2

Diesel fuel only No fire

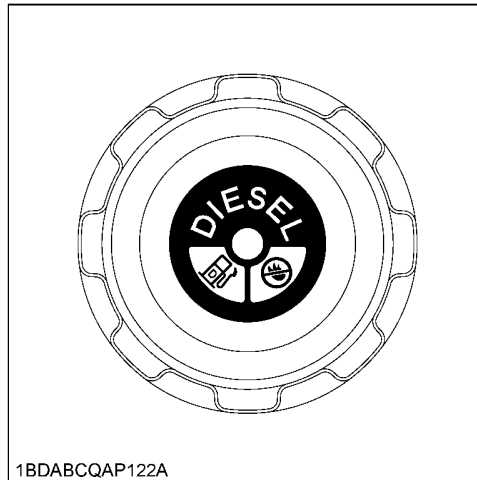



LOW SULFUR FUEL OR ULTRA LOW SULFUR FUEL ONLY

COMBUSTIBLE CON BAJO CONTENIDO DE AZUFRE O COMBUSTIBLE CON CONTENIDO ULTRABAJO DE AZUFRE SOLAMENTE

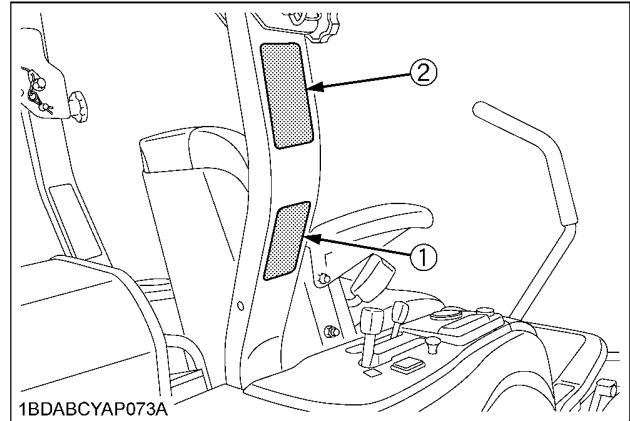
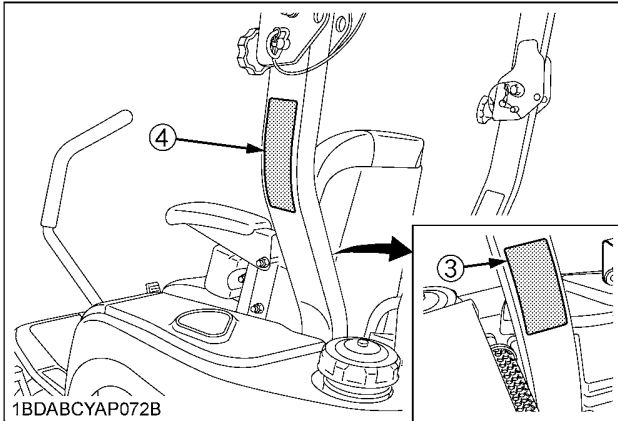
1BDAIATAP001A

(4) Part No. K3181-2491-3



1BDABCQAP122A

1BDABDEAP027A



(1) Part No. K3181-6564-0

⚠WARNING
Never modify or repair a ROPS because welding, grinding, drilling or cutting any portion may weaken the structure.

⚠CAUTION
TO AVOID PERSONAL INJURY WHEN RAISING OR FOLDING ROPS:

1. Set parking brake and stop engine.
2. Remove any obstruction that may prevent raising or folding of the ROPS.
3. Do not allow any bystanders.
4. Always perform function from a stable position at the rear of the tractor.
5. Hold the top of the ROPS securely when raising or folding.
6. Make sure all pins are installed and locked.

1BDABCQAP100A

(2) Part No. K3181-6563-0

⚠WARNING

TO AVOID PERSONAL INJURY OR DEATH FROM ROLL-OVER:

1. Keep Roll-Over Protective Structures (ROPS) in the upright and locked position.
2. Fasten SEAT BELT before operating.

THERE IS NO OPERATOR PROTECTION WHEN THE ROPS IS IN THE FOLDED POSITION.

1. Check the operating area and fold the ROPS only when absolutely necessary.
2. Do not wear SEAT BELT if ROPS is folded.
3. Raise and lock ROPS as soon as vertical clearance allows.
4. Read ROPS related instructions and warnings.

1BDABCQAP101A

(3) Part No. K3181-6566-0

⚠ADVERTENCIA
Nunca modifique ni repare una estructura de protección contra volcaduras (ROPS, por sus siglas en inglés) porque soldar, esmerilar, perforar o cortar cualquier parte puede debilitar la estructura.

⚠PRECAUCIÓN
PARA EVITAR LESIONES PERSONALES AL ELEVAR O PLEGAR LA ESTRUCTURA DE PROTECCIÓN CONTRA VOLCADURAS:

1. Ponga el freno de estacionamiento para detener el motor.
2. Retire cualquier obstrucción que pueda impedir la elevación o plegado de la estructura de protección contra volcaduras.
3. No permita la presencia de otras personas.
4. Siempre realice la función desde una posición estable en la parte posterior del tractor.
5. Mantenga fija de manera segura la parte superior de la estructura de protección contra volcaduras durante la elevación o plegado.
6. Asegúrese de que todos los pines estén instalados y bloqueados.

1BDABCQAP135A

(4) Part No. K3181-6565-0

⚠ADVERTENCIA

PARA EVITAR LESIONES PERSONALES O LA MUERTE PRODUCIDAS POR VOLCADURAS:

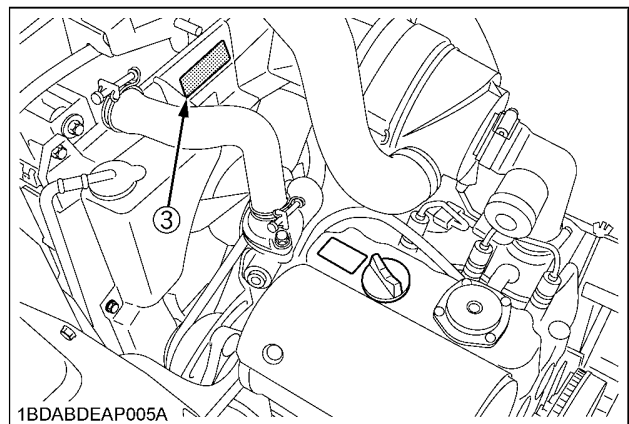
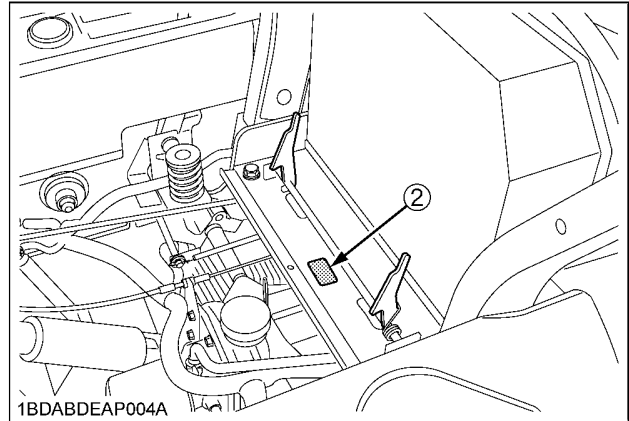
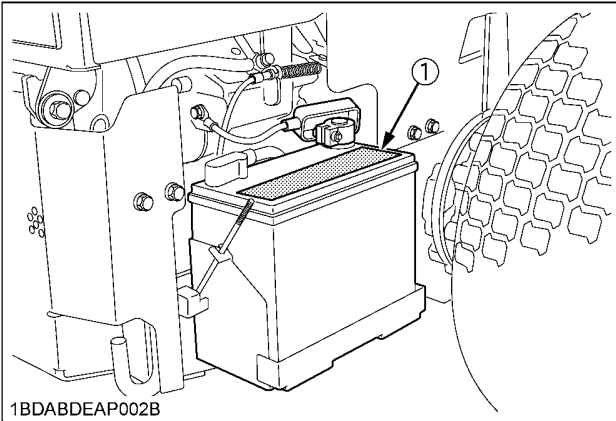
1. Mantenga las estructuras de protección contra volcaduras (ROPS por sus siglas en inglés) en posición vertical y bloqueadas.
2. Póngase el CINTURÓN DE SEGURIDAD antes de la operación.

EL OPERADOR NO TIENE PROTECCIÓN CUANDO LA ESTRUCTURA DE PROTECCIÓN CONTRA VOLCADURAS ESTÁ EN LA POSICIÓN PLEGADA

1. Revise el área de operación y plegue la estructura de protección contra volcaduras sólo cuando sea absolutamente necesario.
2. No use el CINTURÓN DE SEGURIDAD si la estructura de protección contra volcaduras está plegada.
3. Eleve y bloquee la estructura de protección contra volcaduras tan pronto como le permita el espacio libre vertical.
4. Lea las instrucciones y advertencias relacionadas a la estructura de protección contra volcaduras.

1BDABCQAP134A

1BDABCYAP061A



(1) Part No. K3181-6115-1

MAINTENANCE-FREE BATTERY		⚠ DANGER/POISON		PART NO.
<p>SHIELD EYES. EXPLOSIVE GASES CAN CAUSE BLINDNESS OR INJURY.</p>	<p>NO SPARKS, FLAMES, OR SMOKING</p>	<p>SULFURIC ACID CAN CAUSE BLINDNESS OR SEVERE BURNS.</p>	<p>FLUSH EYES IMMEDIATELY WITH WATER. GET MEDICAL HELP FAST.</p>	
<p>CALIFORNIA PROPOSITION 65 WARNING: Batteries, battery posts, terminals and related accessories contain lead and lead compounds, and other chemicals known to the State of California to cause cancer and birth defects or other reproductive harm. WASH HANDS AFTER HANDLING.</p>				
<p>KEEP OUT OF REACH OF CHILDREN. DO NOT TIP. DO NOT OPEN BATTERY.</p>				

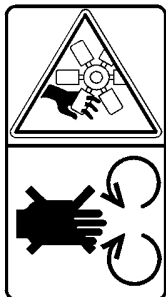
1BDABCQAP124A

DANGER / POISON

- SHIELD EYES
EXPLOSIVE GASES can cause blindness or injury.
- NO SPARKS / FLAMES / SMOKING
- SULFURIC ACID can cause blindness or severe burns.
- Flush eyes immediately with water.
- Get medical help fast.

(2) Part No. K3111-6591-1

Do not get your hands close to fan.



1BDABCQAP107A

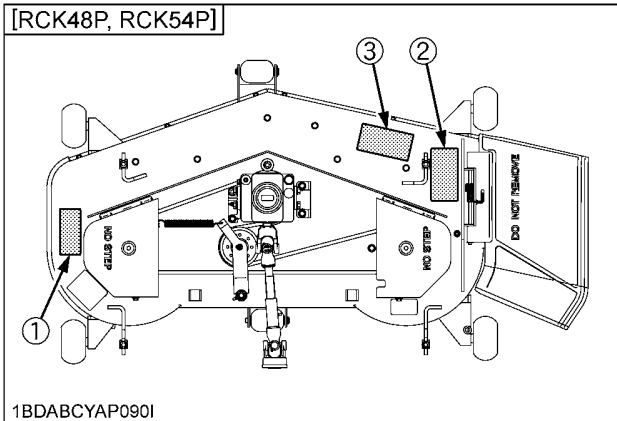
1BDABDEAP028A

(3) Part No. K3181-6586-1

Do not get your hands close to engine fan and fan belt.



1BDABCQAP108A



(1) Part No. K5681-7312-0



1BDACAEAP015B

(2) Part No. K5681-7311-0



1BDACAEAP016B

(3) Part No. K5681-7310-0



1BDACAEAP017B

1BDABDEAP029A

8. CARE OF DANGER, WARNING, AND CAUTION LABELS

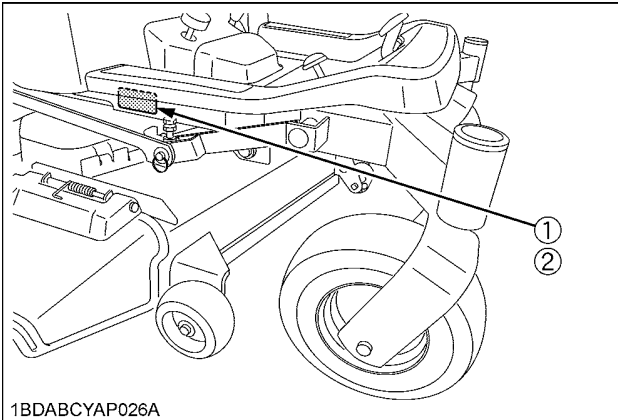
1. Keep danger, warning and caution labels clean and free from obstructing material.
2. Clean danger, warning and caution labels with soap and water, and dry with a soft cloth.
3. Replace damaged or missing danger, warning and caution labels with new labels from your local KUBOTA Dealer.
4. If a component with danger, warning and caution label(s) affixed is replaced with new part, make sure new label(s) is (are) attached in the same location(s) as the replaced component.
5. Mount new danger, warning and caution labels by applying on a clean dry surface and pressing any bubbles to outside edge.

SERVICING OF MACHINE

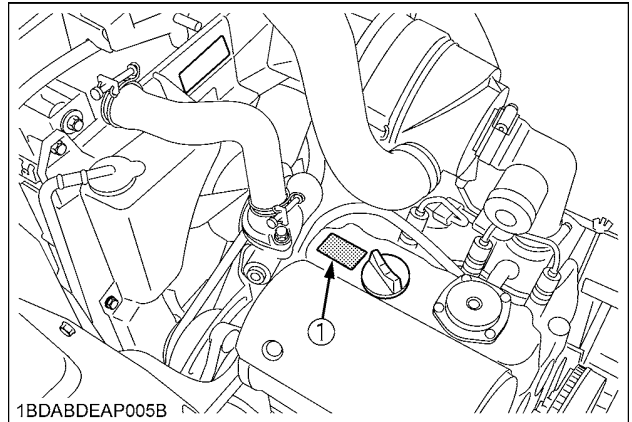
After reading this manual thoroughly, you will find that you can do some of the regular maintenance yourself. Your dealer is interested in helping you get the best performance from your new machine and wants to help you get the most value from it. When in need of parts or major service, be sure to see your KUBOTA Dealer. When in need of parts, be prepared to give your dealer the machine, engine and mower serial numbers.

Locate the serial numbers now and record them in the space provided.

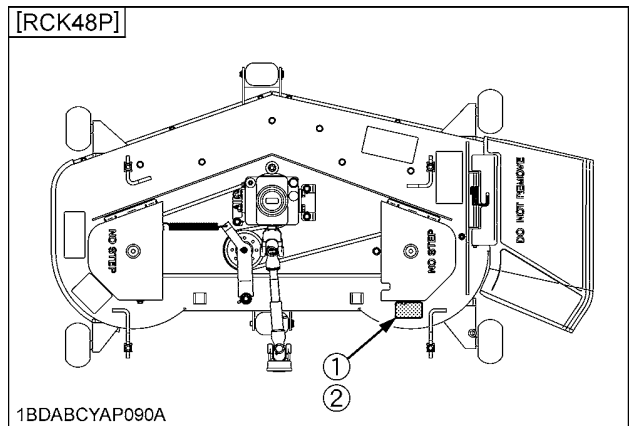
	Type	Serial No.
Machine		
Engine		
Mower		
Date of Purchase		
Name of Dealer		
(To be filled in by purchaser)		



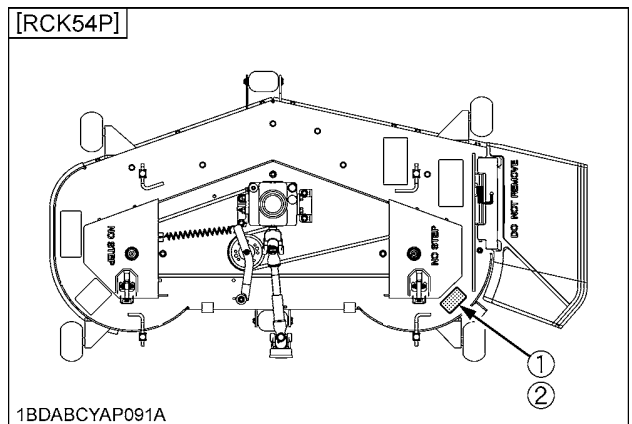
(1) Machine identification plate
(2) Machine serial No.



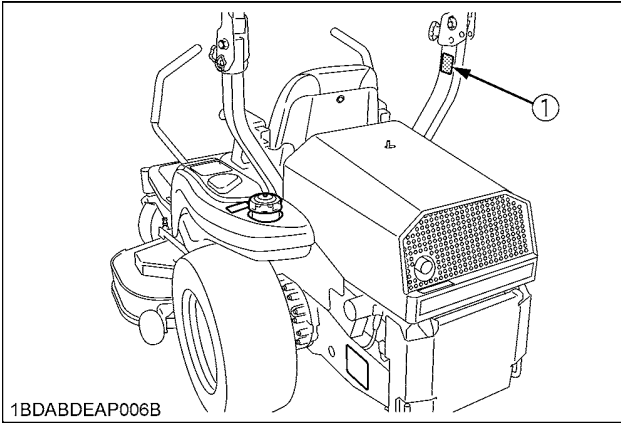
(1) Engine serial No.



(1) Mower identification plate
(2) Mower serial No.



(1) Mower identification plate
(2) Mower serial No.



1BDABDEAP006B

(1) ROPS serial No.

SPECIFICATIONS

Model			ZD221-48	ZD221-54
Engine	Model		D782-E3-ZD-1	
	Max. engine power (Gross)	kW (HP)	15.7 (21) (*1)	
	Type		Liquid-cooled	
	Number of cylinders		3	
	Bore and stroke	mm (in.)	67 x 73.6 (2.64 x 2.90)	
	Total displacement	cm ³ (cu. in.)	778 (47.5)	
	Rated revolution	rpm	3200	
	Fuel		Diesel fuel No. 1 [below -10 °C (14 °F)] Diesel fuel No. 2 [above -10 °C (14 °F)]	
	Starter		Electric starter with battery, glow plug, 12 V, 1.0 kW	
	Lubrication		Forced lubrication by trochoidal pump	
	Cooling		Liquid with pressurized radiator	
	Battery		51R (12 V, RC: 70 min, CCA: 450A)	
Capacities	Fuel tank	L (U.S.gals.)	23 (6.1)	
	Engine crankcase (with filter)	L (U.S.qts.)	3.5 (3.7)	
	Engine coolant	L (U.S.qts.)	2.1 (2.2)	
	Recovery tank	L (U.S.qts.)	0.25 (0.26)	
	Transmission case including Rear axle gear case	L (U.S.qts.)	7.5 (7.9) (*3)	
Dimensions	Overall length		mm (in.)	2130 (83.9)
	Overall width w/o mower deck		mm (in.)	1210 (47.7)
	Overall height	With ROPS upright	mm (in.)	1775 (69.9)
		With ROPS folded	mm (in.)	1320 (51.9)
	Wheelbase		mm (in.)	1295 (51.0)
	Min. ground clearance		mm (in.)	130 (5.12) W/48", W/54"
	Tread	Front	mm (in.)	860 (33.9)
Rear		mm (in.)	930 (36.3)	
Weight (W/MOWER DECK)		kg (lbs.)	545 (1202) with 48"	555 (1224) with 54"

4 SPECIFICATIONS

Model				ZD221-48	ZD221-54
Traveling system	Tires	Front	13 x 5.0 - 6 (4PR) Rib		
		Rear	23 x 10.5 - 12 (4PR) Turf		
	Traveling speeds (*2)	Forward	mph (km/h)	0 to 9.0 (0 to 14.5)	
		Reverse	mph (km/h)	0 to 5.0 (0 to 8.0)	
	Steering		2 - Hand levers		
	Transmission		2 - HST w / Gear		
	Parking brake		Wet multi disks / Foot applied, released		
	Min. turning radius		mm (in.)	0 (0)	
PTO	Revolution		1 speed (2530 rpm at 3200 engine rpm)		
	Drive system		Shaft drive, KUBOTA 10 tooth involute spline		
	Clutch type		Wet multi disks		
	PTO brake		Wet single disk		

(Specifications and design subject to change without notice)

NOTE:

*1: Manufacturer's estimate

*2: At 3200 engine rpm

*3: Oil amount when the oil level is at the upper level.

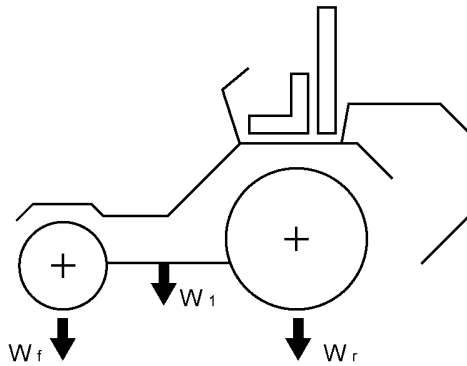
Model			RCK48P-222Z	RCK54P-227Z
PRO Commercial Deck (Fabricated deck)	Suitable machine		ZD221	
	Mounting method		Quick joint, Parallel linkage	
	Adjustment of cutting height		Dial gauge	
	Cutting width	mm (in.)	1225 (48)	1375 (54)
	Cutting height	mm (in.)	25 to 127 (1.0 to 5.0)	
	Weight (Approx.)	kg (lbs.)	106 (234)	119 (262)
	Blade spindle speed	r/s (rpm)	64.8 (3890) *1	58.0 (3480) *1
	Blade tip velocity	m/s (fpm)	86.4 (17000) *1	86.6 (17000) *1
	Blade length	mm (in.)	424 (16.7)	475 (18.7)
	Number of blades		3	
	Dimensions	Total length	mm (in.)	880 (34.6)
Total width		mm (in.)	1552 (61.1)	1710 (67.3)
Total height		mm (in.)	340 (13.3)	340 (13.3)

*1: Engine Max rpm

IMPLEMENT LIMITATIONS

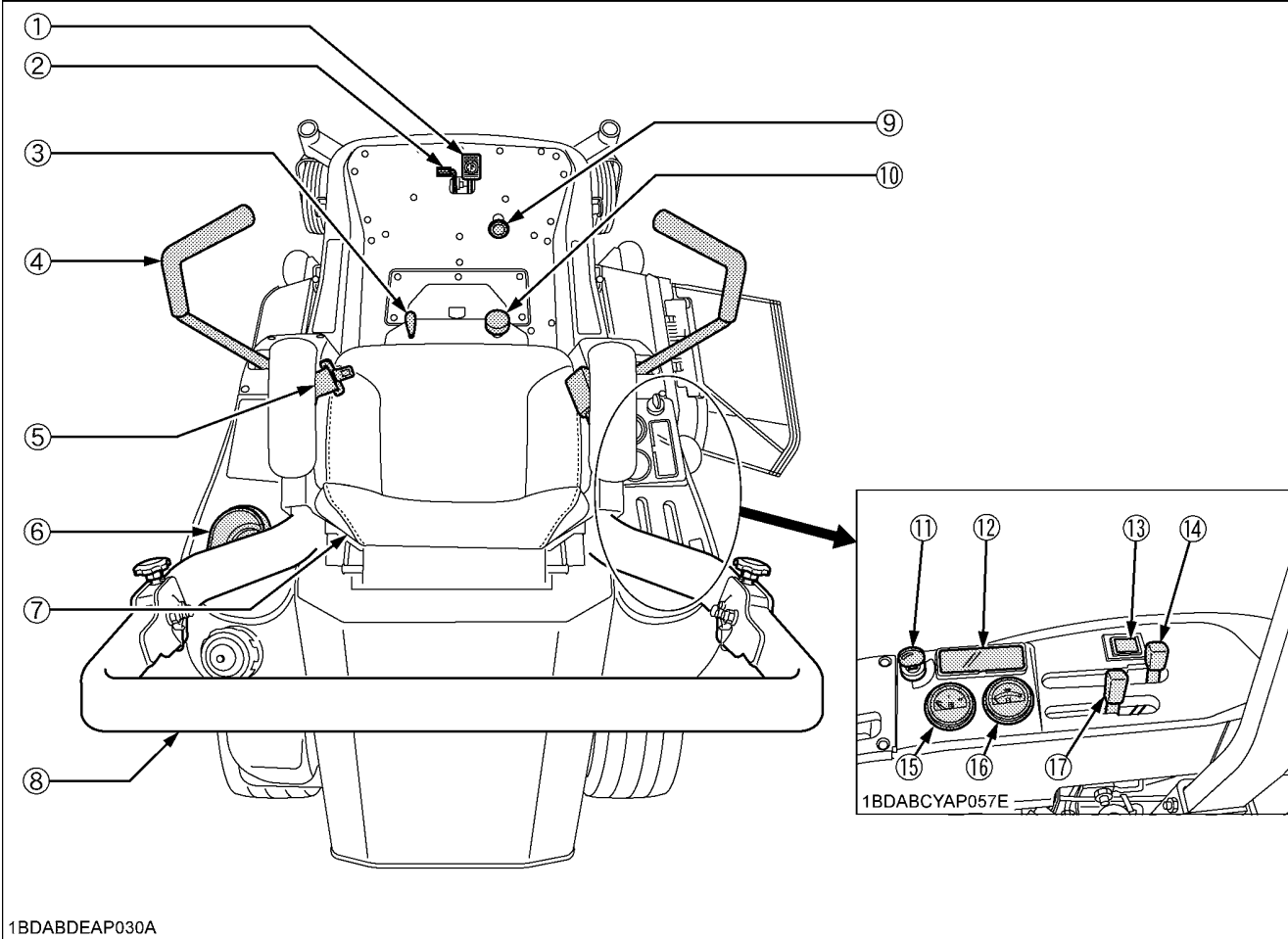
The KUBOTA Machine has been thoroughly tested for proper performance with implements sold or approved by KUBOTA. Use with implements which are not sold or approved by KUBOTA and which exceed the maximum specifications listed below, or which are otherwise unfit for use with the KUBOTA Machine may result in malfunctions or failures of the machine, damage to other property and injury to the operator or others. [Any malfunctions or failures of the machine resulting from use with improper implements are not covered by the warranty.]

	Maximum loading weight		Implement weight W_1	Maximum total weight
	Front axle W_f	Rear axle W_r		
ZD221	145 kg (319 lbs.)	510 kg (1124 lbs.)	140 kg (308 lbs.)	655 kg (1444 lbs.)



1BDABCQAP132A

INSTRUMENT PANEL AND CONTROLS

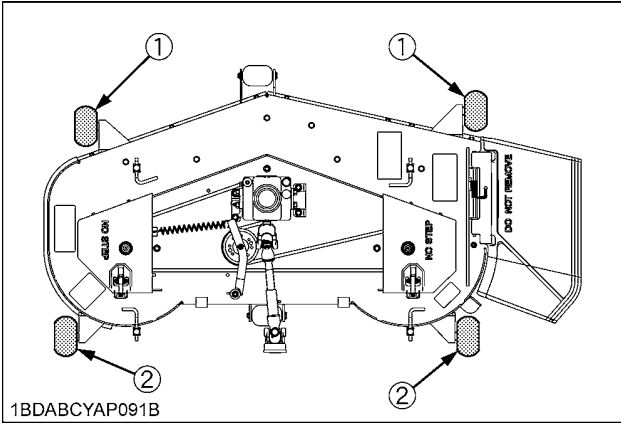


ILLUSTRATED CONTENTS

(1) Parking brake pedal.....	11, 22
(2) Parking brake lock pedal.....	11, 22
(3) Lift lock lever.....	27
(4) Motion control lever.....	11, 23
(5) Seat belt.....	21
(6) Cup holder.....	-
(7) Operator's seat.....	21
(8) ROPS.....	19
(9) Hydraulic lift control pedal.....	21

ILLUSTRATED CONTENTS

(10) Cutting height control dial.....	28
(11) Key switch.....	13
(12) Easy checker (TM).....	14
(13) Hour meter.....	15
(14) PTO lever.....	30
(15) Fuel gauge.....	14
(16) Coolant temperature gauge	14
(17) Throttle lever.....	22



ILLUSTRATED CONTENTS

- (1) *Anti-scalp roller (Front)*..... 28
- (2) *Anti-scalp roller (Rear)*..... 28

MOWER MOUNTING

MOUNTING THE MOWER DECK

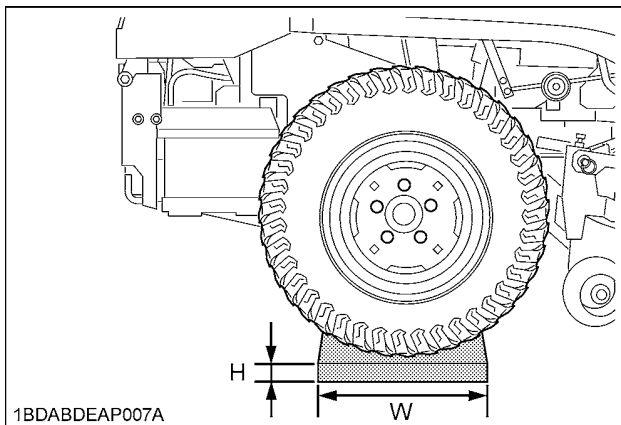


CAUTION

To avoid personal injury:

- Park the machine on a firm and level surface.
- Apply the parking brake.
- Stop the engine and remove the key.

1. Before mounting the mower deck, raise the lift links to the full up position.
2. Adjust the cutting height control dial to 1 in. position.
3. Go backward so that right and left rear tires would be on the board 40 mm (1.57 in.) high.



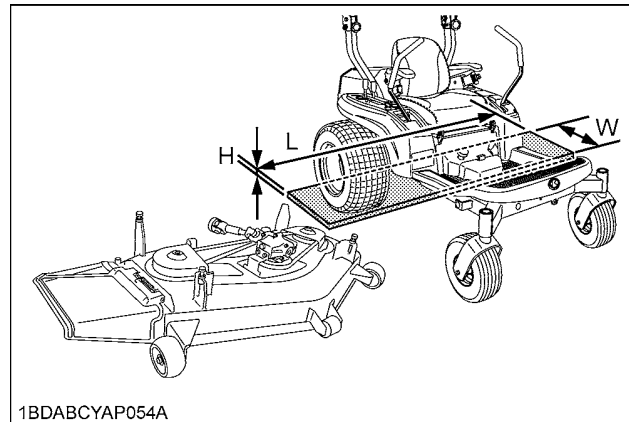
1BDABDEAP007A

H: 40 mm (1.57 in.)

W: 300 mm (11.8 in.)

IMPORTANT :

- Use a board more than 300 mm (11.8 in.) wide and 1400 mm (55.1 in.) long.
 - Make sure that right and left rear tires are firm on the board.
4. Change the direction of the front tires as shown in the figure.
 5. Place the mower deck at the right side of the machine.



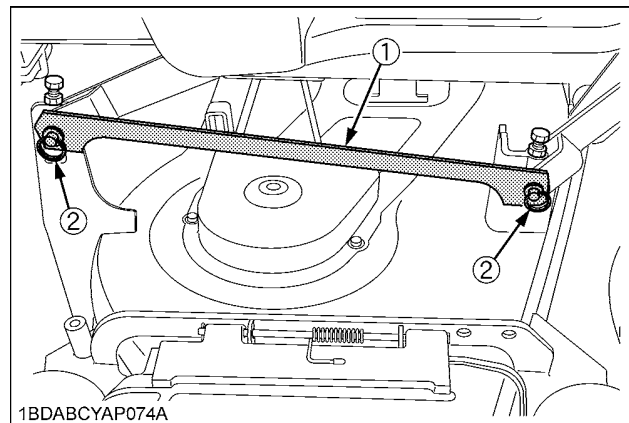
1BDABCYAP054A

H: 40 mm (1.57 in.)

W: 300 mm (11.8 in.)

L: 1400 mm (55.1 in.)

6. Slide the mower deck under the machine, and make sure that the mower gear case is placed properly in the center of the machine.
7. Adjust the lift pedal to the lowest position and pull down the lift links.
8. Attach the lift links to the mower deck with attaching hardware.



1BDABCYAP074A

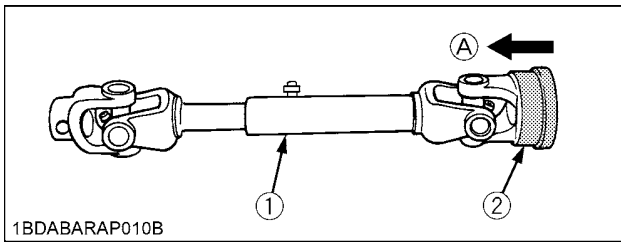
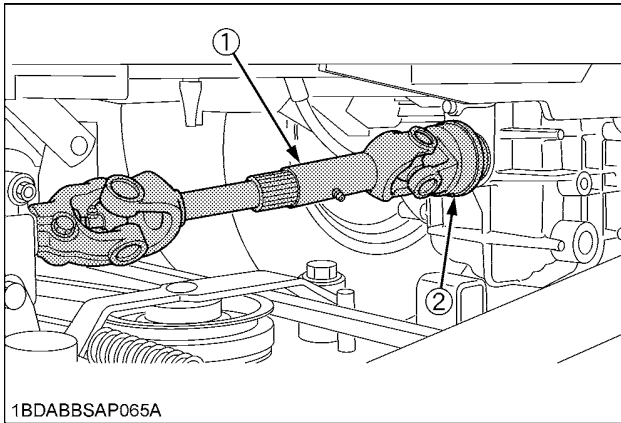
(1) Lift link

(2) Clevis pin, Plain washer, Snap ring

9. Install universal joint.
Pull back the coupler of the universal joint.
Push the universal joint onto the PTO shaft until the coupler locks.

IMPORTANT :

- Tug the universal joint backward and forward to make sure it is locked securely.



(1) Universal joint
(2) Coupler

(A) "PULL"

ADJUSTING THE MOWER

See "OPERATING THE MOWER" section.

DISMOUNTING THE MOWER DECK

For dismounting the mower deck, reverse the above procedures.

10. After mounting the mower, check the mower level. If necessary, adjust the mower level and anti-scalp rollers.

OPERATING THE ENGINE



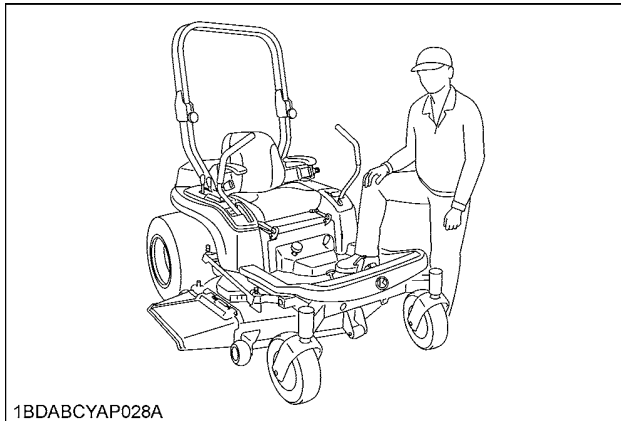
CAUTION

To avoid personal injury:

- Read "SAFE OPERATION" in the front of this manual.
- Read the danger, warning and caution labels located on the machine.
- To avoid danger of exhaust fume poisoning, do not operate the engine in a closed building without proper ventilation.
- Never start the engine while standing on the ground. Start the engine only from operator's seat.

MOUNT AND DISMOUNT MACHINE SAFELY

DO NOT step on either side of the mower deck when mounting and dismounting the machine. When mounting the machine from either side, step over the mower deck.

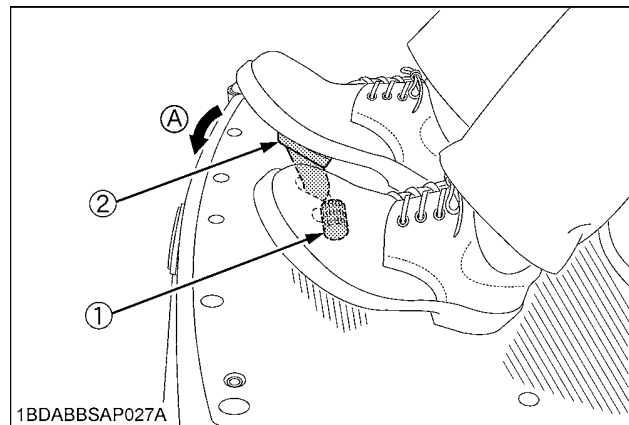


STARTING THE ENGINE

1. Sit on the operator's seat.
2. Apply the parking brake.

To apply the parking brake:

Depress the parking brake pedal firmly with your right foot and the parking brake lock pedal simultaneously with your left foot. Then release the parking brake pedal while holding the parking brake lock pedal down.



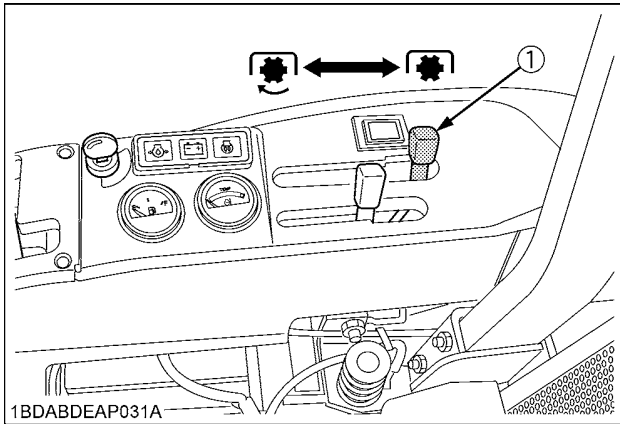
- (1) Parking brake lock pedal
(2) Parking brake pedal

(A) "DEPRESS"

To release the parking brake:

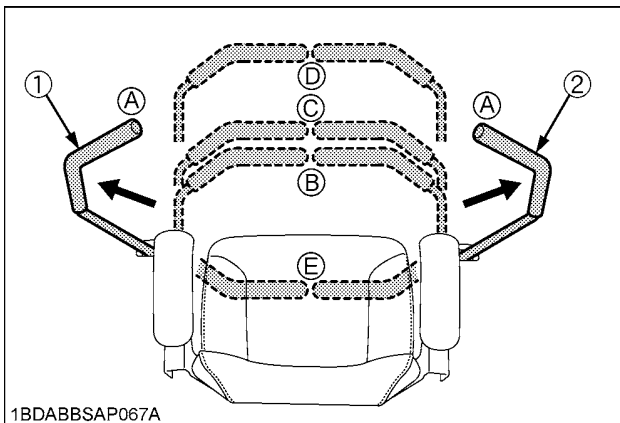
Depress the brake pedal and release slowly with your right foot without pressing the parking brake lock pedal.

3. Make sure that the PTO lever is in the "DISENGAGED" (OFF) position.



(1) PTO lever
 "ENGAGED" (ON)
 "DISENGAGED" (OFF)

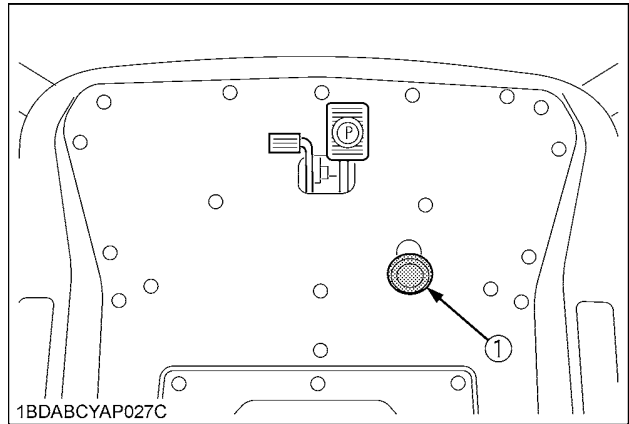
4. Place the motion control levers in the "NEUTRAL LOCK" position.



(1) Motion control lever (LH)
 (2) Motion control lever (RH)

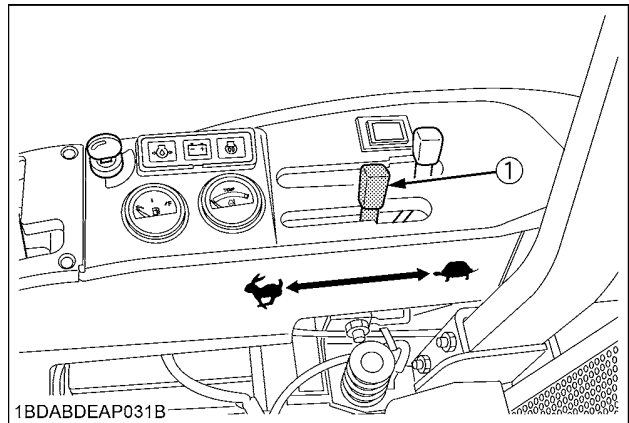
(A) "NEUTRAL LOCK" Position
 (B) "NEUTRAL" Position (held by hands)
 (C) "CREEP" Position (hands off)
 (D) "FORWARD"
 (E) "REVERSE"

5. Release the hydraulic lift control pedal to the "DOWN" position.



(1) Hydraulic lift control pedal
 Depressing: "UP"
 Release: "DOWN"

6. Set the throttle lever 1/2 way forward.







(1) Throttle lever
 "FAST"
 "SLOW"

7. Insert the key into the key switch and turn clockwise one notch. Make sure the Easy Checker (TM) lights are ON.

IMPORTANT :

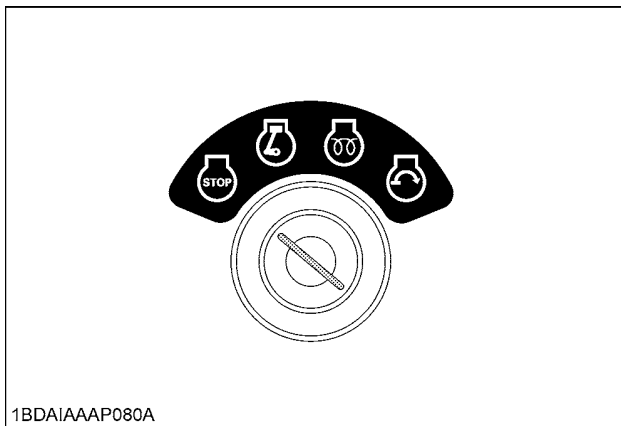
- Do not depress the hydraulic lift control pedal. When the engine is off, depressing the hydraulic lift control pedal (UP or DOWN) will lower the implement.



Key Switch

-  OFF..... The position where the key can be inserted into or removed from the key switch. [When the key is turned this position, the engine shuts off.]
-  ON..... The engine keeps running.
-  PREHEAT... The super glow plug is heated.
-  START..... Apply the parking brake and turn the key switch to this position to start the engine.

IMPORTANT :

- Because of the safety devices, the engine may not be started except when the PTO clutch is "DISENGAGED" (OFF), the parking brake lock pedal is applied, motion control levers are in "NEUTRAL LOCK" position and the operator is sitting in the seat.



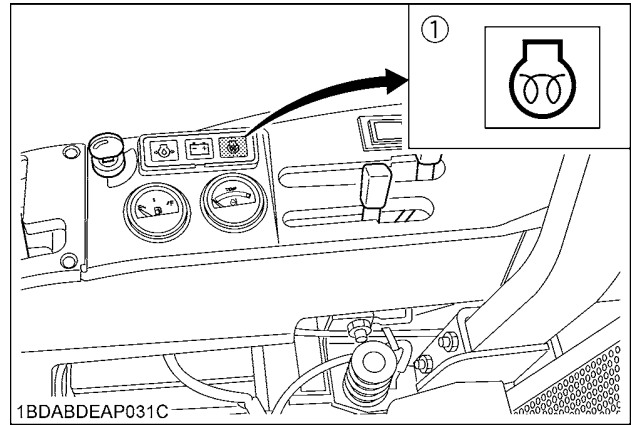
 : "OFF"
 : "ON"

 : "PREHEAT"
 : "START"

8. Turn the key switch clockwise, and hold it for about 5 seconds. (at the "PREHEAT" position)

For the appropriate preheating time, refer to the table below:

Temperature	Preheating Time
Over 0°C (32°F)	5 sec.
Below 0°C (32°F)	10 sec.



(1) Glow plug indicator

NOTE :

- Glow plug indicator (1) comes on while the engine is being preheated.

9. Turn the key switch to the "START" position and release the key to the "ON" position when the engine starts.

IMPORTANT :

- Do not use starting fluid or ether.
- To protect the battery and the starter, make sure that the starter is not continuously turned for more than 10 seconds.
- Do not turn the key switch while the engine is running.
- When the temperature is below 0°C (32°F), run the engine at medium speed to warm up the lubricant of the engine and transmission for at least 10 minutes. If the machine is operated before the lubricant is warm enough, the machine life will be shortened.
- Do not operate the machine under full load until it is sufficiently warmed up.
- When the ambient temperature is less than -15°C (5°F), remove the battery from the machine and store it somewhere warm until next operation.

10. Make sure that the Easy Checker (TM) lights have gone off. If the light is still on, immediately stop the engine and check the remedy following the instruction. (See "CHECK DURING OPERATING" in "OPERATING THE ENGINE" section.)

11. Warm the engine by running at medium speed.

CHECK DURING OPERATING

While operating, make the following checks to see that all the parts are functioning normally.

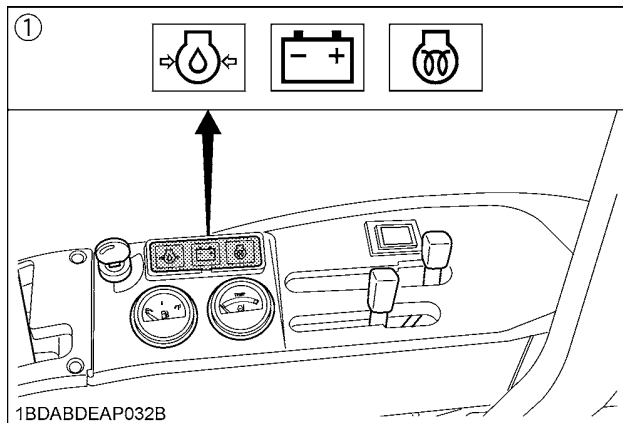
■ Immediately Stop the Engine if:

- The engine suddenly slows down or accelerates.
- Unusual noises are suddenly heard.
- Exhaust fumes suddenly become discolored.

■ Easy Checker (TM)

If the warning lamps in the Easy Checker (TM) come on during operation, stop the engine immediately, and find the cause as shown below.

Never operate the machine while Easy Checker (TM) lamp is "ON".



(1) Easy checker (TM)

⚠ Engine oil pressure

If the oil pressure in the engine goes below the prescribed level, the warning lamp in the Easy Checker (TM) will come on.

If this should happen during operation, stop the engine immediately and check level of engine oil.

⚠ Electrical charge

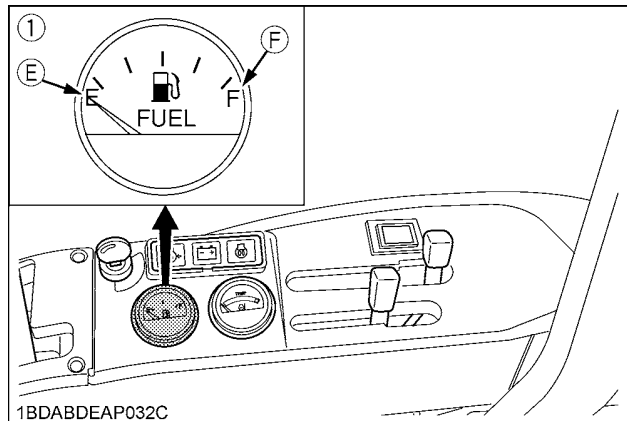
If the dynamo is not charging the battery, the warning lamp in the Easy Checker (TM) will come on.

If this should happen during operation, check the electrical charging system or consult your local KUBOTA Dealer.

■ Fuel Gauge

Be careful not to empty the fuel tank. Otherwise air may enter the fuel system.

If this should happen, the fuel system should be bled. (See "SERVICE AS REQUIRED" in "PERIODIC SERVICE" section.)



(1) Fuel gauge

(E) "EMPTY"
(F) "FULL"

IMPORTANT :

- Do not refuel over "F". Fill the tank only to the bottom of the filler neck in the fuel tank.

■ Coolant Temperature Gauge



CAUTION

To avoid personal injury:

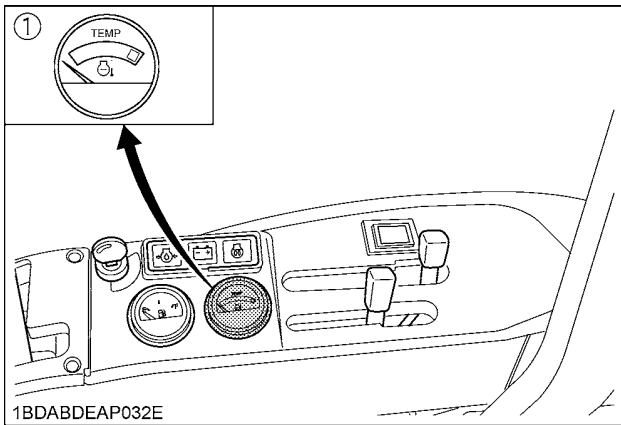
- Do not remove radiator cap until coolant temperature is well below its boiling point. Then loosen cap slightly to the stop to relieve any excess pressure before removing cap completely.

If the indicator reaches red zone, or horn sounds.

1. Place the PTO lever in the "DISENGAGE" (OFF) position.
2. Move the machine to the level surface, and apply the parking brake.
3. Place the throttle lever in the engine idle position, and let the engine run for a few minutes.
4. Check the Cooling System, after it has sufficient time to cool down.

Check the following items:

1. Shortage or leakage of the coolant.
 2. Foreign matter on the radiator net or dust and dirt between the radiator fins.
 3. Looseness of fan belt.
 4. Blockage in the radiator tube.
- (See "PERIODIC SERVICE" section.)



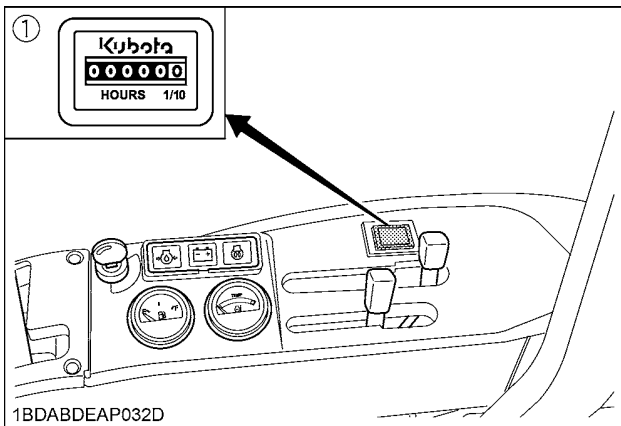
(1) Coolant temperature gauge

Hour Meter

This meter gives readings for the hours the machine has been operated for.

NOTE :

- As the hour meter works electrically, it starts to work when the key switch is turned to "ON", regardless of the engine running or not.



(1) Hour meter

COLD WEATHER STARTING

When the ambient temperature is below -5 °C (23 °F) and the engine is very cold. (If the engine fails to start after 10 seconds, turn off the key for 30 seconds. Then repeat steps 8, 9 and 10. To protect the battery and the starter, make sure that the starter is not continuously turned for more than 30 seconds.)

BLOCK HEATER (OPTION)

A block heater is available as an option from your local dealer. It will assist you in starting your machine when the ambient temperature is below freezing.

WARMING UP

CAUTION

To avoid personal injury:

- Be sure to apply the parking brake during warm-up.

For 5 minutes after engine start-up, allow the engine to warm up without applying any load. This is to allow oil to reach every engine part. If load should be applied to the engine without this warm-up period, the troubles such as seizure, breakage or premature wear may develop.

Warm-up and Transmission Oil in the Low Temperature Range

Hydraulic oil serves as transmission oil. In cold weather, the oil may be cold with increased viscosity. This can cause delayed oil circulation or abnormally low hydraulic pressure for some time after engine start-up. This in turn can result in a trouble in the hydraulic system or a damage to the hydraulic clutch.

To prevent the above, observe the following instructions: Warm up the engine at about 50% of rated rpm according to the table below:

Ambient temperature	Warm-up time requirement
Higher than 0 °C (32 °F)	Approx. 5 minutes
0 to -10 °C (32 to 14 °F)	5 to 10 minutes
-10 to -20 °C (14 to -4 °F)	10 to 15 minutes
Below -20 °C (-4 °F)	More than 15 minutes

IMPORTANT :

- Do not operate unless the engine is well warmed up. If operation is attempted while the engine is still cold, the hydraulic mechanism will not function properly and its service life will be shortened.
- If noises are heard after the hydraulic control lever has been activated and the implement is lifting, the hydraulic mechanism is not adjusted properly. Unless corrected, the unit will be damaged. Contact your local KUBOTA Dealer for adjustment.

JUMP STARTING



WARNING

To avoid personal injury:

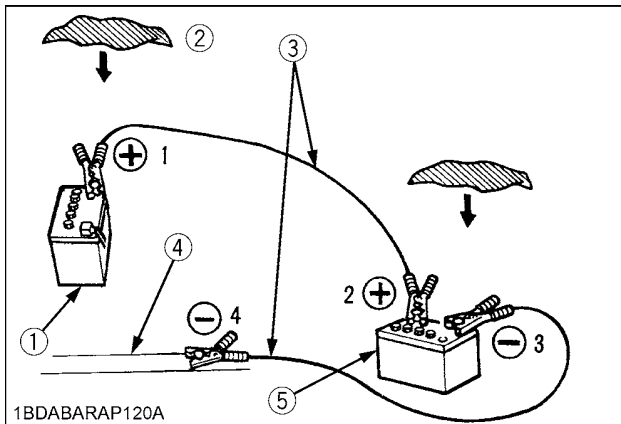
- **Battery gases can explode. Keep cigarettes, sparks, and flames away from battery.**
- **If the machine battery is frozen, do not jump start the engine.**
- **Do not connect the other end of negative jumper cable to the negative terminal of the machine battery.**

When jump starting engine, follow the instructions below to start the engine safely.

1. Bring a helper vehicle with a battery of the same voltage as a disabled machine within easy cable reach. "THE VEHICLES MUST NOT TOUCH".
2. Apply the parking brakes of both vehicles and put the shift levers in neutral. Shut the engine off.
3. Put on safety goggles and rubber gloves.
4. Ensure vent caps are securely in place (if equipped).
5. Cover vent caps with damp rags. Do not allow the rag to touch the battery terminals.
6. Attach the red clamp to the positive (red, (+) or pos.) terminal of the dead battery and clamp the other end of the same cable to the positive (red, (+) or pos.) terminal of the helper battery.
7. Clamp the other cable to the negative (black, (-) or neg.) terminal of the helper battery.
8. Clamp the other end to the engine block or the frame of the disabled machine as far from the dead battery as possible.
9. Start the helper vehicle and let its engine run for a few moments. Start the disabled machine.
10. Disconnect the jumper cables in the exact reverse order of attachment. (Steps 8, 7 and 6)
11. Remove and discard the damp rags.

IMPORTANT :

- This machine has a 12 volt negative (-) ground starting system.
- Use only same voltage for jump starting.
- Use of a higher voltage source on a machine could result in severe damage to the machine electrical system.
Use only matching voltage source when "jump-starting" a low or dead battery condition.



- (1) Dead battery
 (2) Lay a damp rag over the vent caps
 (3) Jumper cables
 (4) Engine block or frame
 (5) Helper battery

Connect cables in numerical order.
 Disconnect in reverse order after use.

STOPPING THE ENGINE

1. After idling the engine, turn the key switch to "OFF" position.
2. Remove the key.
3. Do not leave the key switch "ON" (key in the "ON" position) as the battery will discharge when the engine is not running.
4. Apply the parking brake.

■ Engine Stop Lever (Inside the Hood)

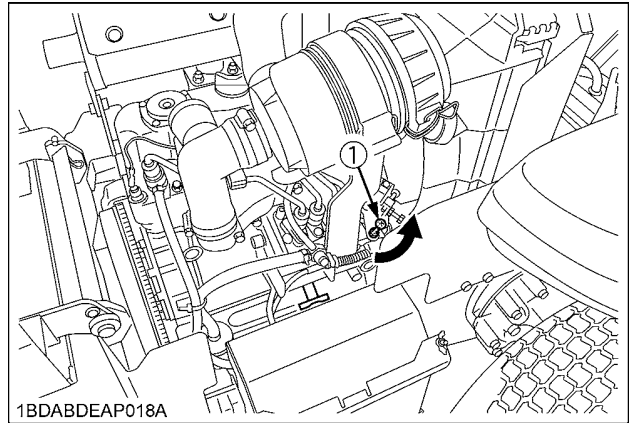
The engine stops when the key switch is turned "OFF". If the engine does not stop, make sure the motion control levers are in the "NEUTRAL LOCK" position, the PTO lever is "OFF", the mower lowered to the ground and apply the parking brake, then carefully get off the machine. Then open the hood and pull engine stop lever (Red mark) and hold it until the engine stops. Then contact your local KUBOTA Dealer immediately.



CAUTION

To avoid personal injury:

- Do not operate the machine until the engine stop system is repaired.



(1) Engine stop lever

OPERATING THE MACHINE

OPERATING NEW MACHINE

How a new machine is operated and maintained determines the life of the machine.

A new machine just off the factory production line has been, of course, tested, but the various parts are not accustomed to each other, so care should be taken to operate the machine for the first 50 hours at a slower speed and avoid excessive work or operation until the various parts become "broken-in." The manner in which the machine is handled during the "breaking-in" period greatly affects the life of your machine. Therefore, to obtain the maximum performance and the longest life of the machine, it is very important to properly break-in your machine. In handling a new machine, the following precautions should be observed.

■ Changing Lubricating Oil for New Machines

The lubricating oil is especially important in the case of a new machine. The various parts are not "broken-in" and are not accustomed to each other; small metal grit may develop during the operation of the machine; and this may wear out or damage the parts. Therefore, care should be taken to change the lubricating oil a little earlier than would ordinarily be required.

For further details of change interval hours.

(See "SERVICE INTERVALS" in "MAINTENANCE" section.)

■ Engine Break-in

After the first 50 hours of operation, change the engine oil and filter. (See "EVERY 200 HOURS" in "PERIODIC SERVICE" section.)

■ Machine Break-in

After the first 400 hours of operation, change the transmission fluid. (See "EVERY 400 HOURS" in "PERIODIC SERVICE" section.)

After the first 50 hours of operation, change the oil filter. (See "EVERY 200 HOURS" "EVERY 400 HOURS" in "PERIODIC SERVICE" section.)



DANGER

To avoid serious injury or death:

- Do not operate the mower without the deflector shield in the down position.



WARNING

To avoid personal injury:

- The machine relies upon the engine driven transmission for speed, direction and steering control. If the engine is not running, the machine cannot be driven or controlled. If the engine stops when operating on a slope, apply the parking brake immediately to prevent machine runaway.
- Do not allow any person other than the driver to ride on the machine.
- Do not drive the machine close to the edges of ditches or banks which may collapse under the weight of the machine, especially when the ground is loose or wet.
- When turning the machine, be sure to reduce the travel speed and operate motion control levers carefully.
- To avoid tip over, operate across slopes, not up and down. Avoid sudden starts and stops on slopes. Slow down, and use extra caution when changing direction on a slope. Park the machine on a firm and level surface.
- Watch where you are going at all times. Watch for and avoid obstacles. Be alert at curbs, near trees, and other obstructions and hidden hazards.
- Do not drive machine on streets or highways. Watch for traffic when you cross roads or operate near roads.
- Look to the rear before and when backing. Make sure the area immediately behind you is clear of obstructions or holes and small children. Use extra caution when machine is equipped with Grass Catcher.



CAUTION

To avoid personal injury:

- Clear the work area of objects which might be picked up and thrown by blades.
- Do not direct the opening of the chute at bystanders or animals. Ejected objects may cause injury. Plan your mowing carefully before starting operation.
- Keep bystanders especially children and animals away from the mowing area.
- Be sure to disengage the PTO and sit on the operator's seat before starting the engine.

OPERATING FOLDABLE ROPS



CAUTION

To avoid personal injury:

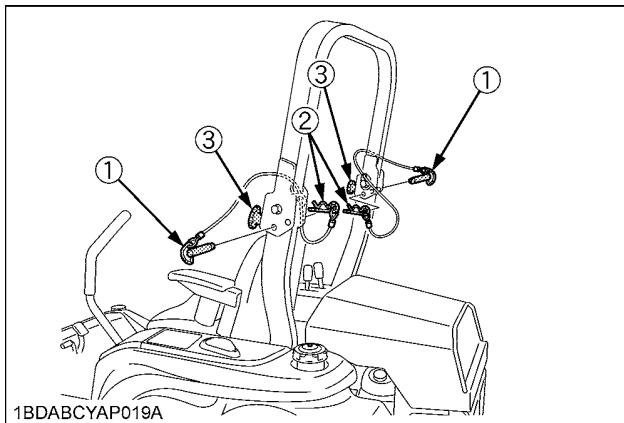
- When raising or folding the ROPS, apply parking brake, stop the engine and remove the key.

Always perform function from a stable position to the rear of the machine.

- Fold the ROPS down only when absolutely necessary and fold it up and lock it again as soon as possible.
- Before proceeding to fold the ROPS, check for any possible interference with installed implements and attachments.
If interference occurs, contact your KUBOTA Dealer.

■ To Fold the ROPS

1. Unscrew the knob bolts 1 to 2 turns.
2. Remove both lock pins.



- (1) Lock pin
(2) Hair pin
(3) Knob bolt

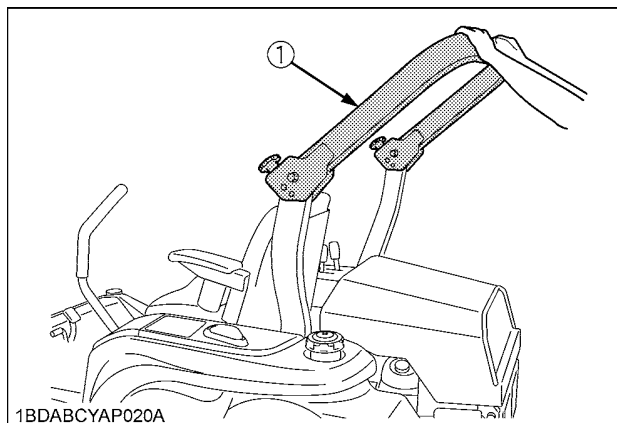
3. Fold the ROPS.



CAUTION

To avoid personal injury:

- Hold the ROPS tightly with both hands and fold the ROPS slowly and carefully.



- (1) ROPS

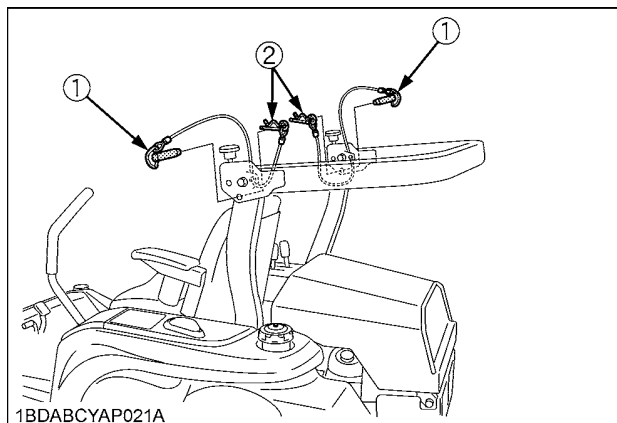
4. Align lock pin holes and insert both lock pins and secure them with the hair pins.



CAUTION

To avoid personal injury:

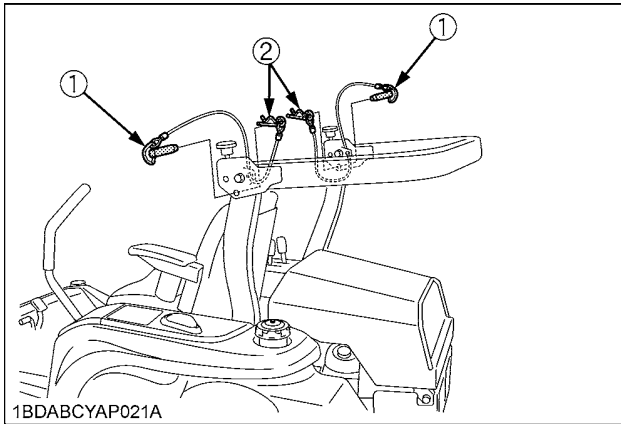
- Make sure that both lock pins are properly installed and secured with the hair pins.



- (1) Lock pin
(2) Hair pin

■ To Raise the ROPS to Upright Position

1. Remove both hair pins and lock pins.



- (1) Lock pin
- (2) Hair pin

2. Raise ROPS to the upright position.



CAUTION

To avoid personal injury:

- Raise the ROPS slowly and carefully.

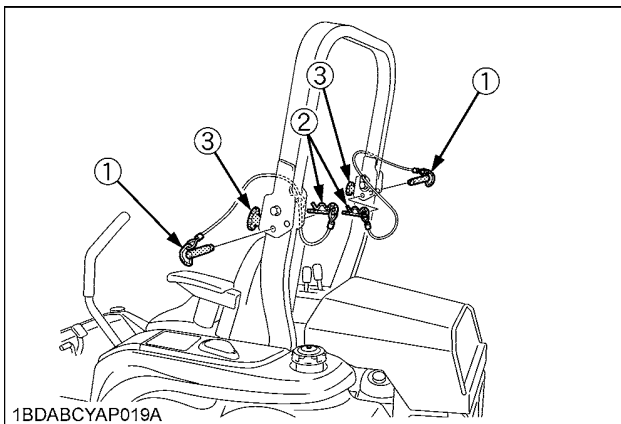
3. Align lock pin holes, insert both lock pins and secure them with the hair pins.
4. Tighten the knob bolts slightly.



CAUTION

To avoid personal injury:

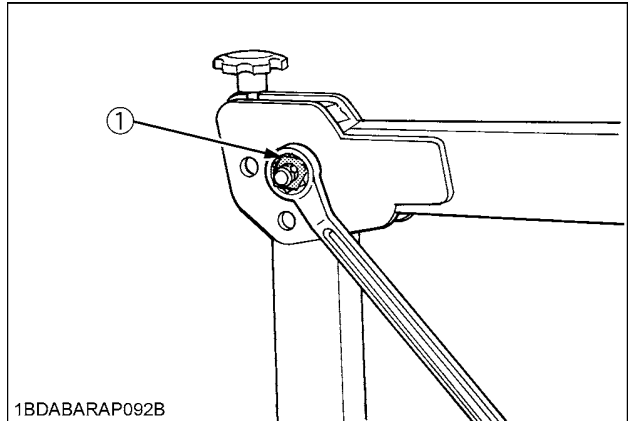
- Make sure that both lock pins are properly installed as soon as the ROPS is in the upright position and secured with the hair pins.



- (1) Lock pin
- (2) Hair pin
- (3) Knob bolt

■ Adjustment of Foldable ROPS

- Adjust free fall of the ROPS upper frame regularly.
- If you feel less friction when folding the ROPS, tighten the nut (1) until you feel the right friction in the movement and then replace the cotter pin.



- (1) Nut

STARTING

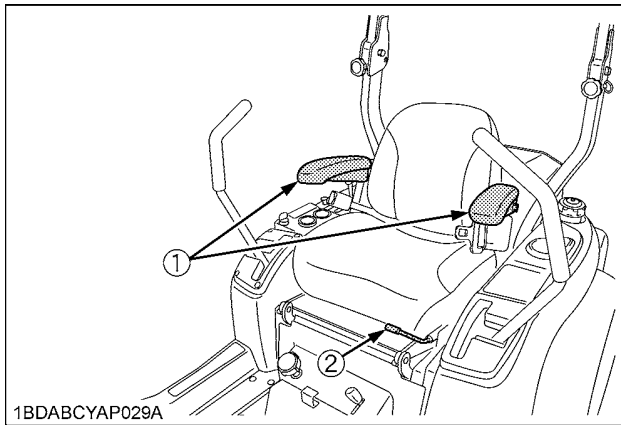
1. Adjust the operator's position.

■ Operator's Seat

CAUTION

To avoid personal injury:

- Make adjustments to the seat only while the machine is stopped.
- Make sure that the seat is completely secured after each adjustment.
- Do not allow any person other than the driver to ride on the machine.



(1) Armrest
(2) Fore-aft adjusting handle

◆ How to adjust the operator's seat

- Fore-aft adjust
Pull the seat adjusting lever and slide the seat.

IMPORTANT :

- After adjusting the operator's seat, be sure to check to see that the seat is securely locked.

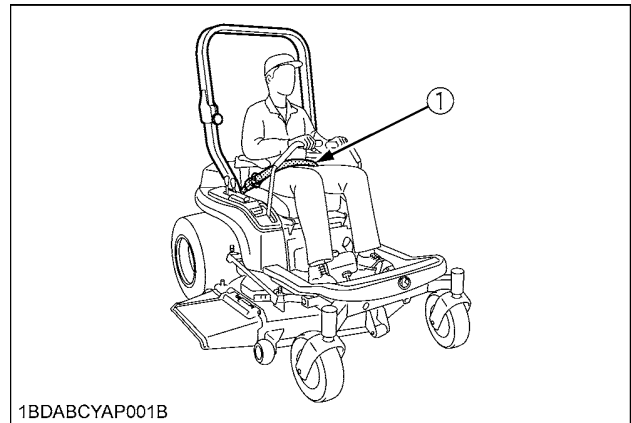
■ Seat Belt

CAUTION

To avoid personal injury:

- Always use the seat belt when the ROPS is installed.
- Do not use the seat belt if a foldable ROPS is down or there is no ROPS.

Adjust the seat belt for proper fit and connect to the buckle. The seat belt is auto-locking retractable type.



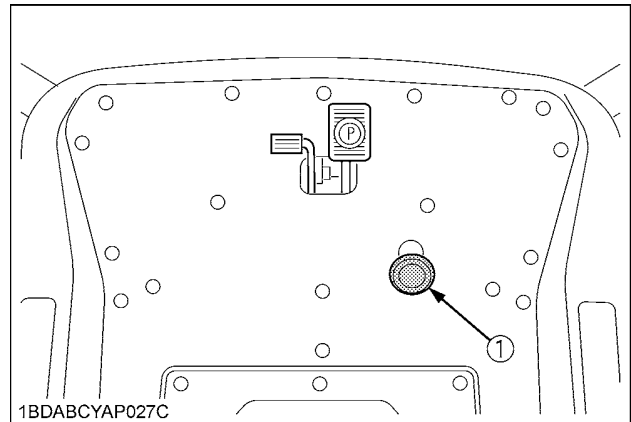
1BDABCYAP001B

(1) Seat belt



2. Raise the implement.

■ Hydraulic Lift Control Pedal

The hydraulic lift control pedal is used to raise the mower. To raise the mower, keep depressing the pedal. To lower it, release the pedal.



1BDABCYAP027C

(1) Hydraulic lift control pedal
 "DOWN": Release the pedal
 "UP": Keep depressing the pedal

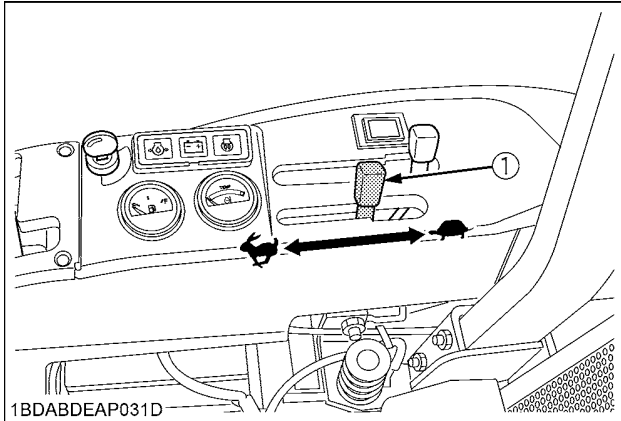
IMPORTANT :

- Do not operate until the engine is warmed up. If operation is attempted when the engine is still cold, the hydraulic system may be damaged.
- Do not operate at slow engine rpm. Move the throttle lever above 1/2.
- If noises are heard when implement is lifting after the hydraulic lift control pedal has been activated, the hydraulic mechanism is not adjusted properly. Contact your local KUBOTA Dealer for adjustment.
- Do not depress the hydraulic lift control pedal continuously while operating the machine.

3. Accelerate the engine.

■ Throttle Lever

Moving the throttle lever backward decreases the engine speed and moving it forward increases the engine speed.



(1) Throttle lever

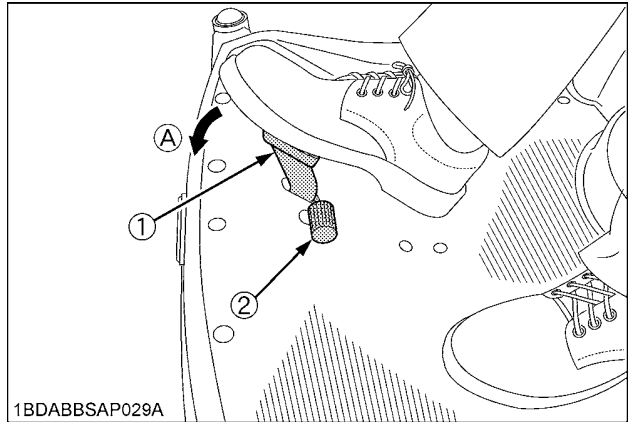
↖ "INCREASE"
↗ "DECREASE"

4. Unlock the parking brake.

■ Parking Brake Pedal

To release the parking brake:

Depress the brake pedal and release slowly with your right foot, without pressing the parking brake lock pedal.



(1) Parking brake pedal
(2) Parking brake lock pedal

(A) "DEPRESS"

5. Operate the machine.

■ Motion Control Lever



CAUTION

To avoid personal injury:

- Understand how to use the motion control levers and practice in an unrestricted area at a little more than an idle speed without the mower engaged until becoming proficient in the operation of the machine.
- Do not move motion control levers from forward to reverse or reverse to forward position rapidly.
Sudden direction changes could cause loss of control or damage to the machine or property.
- Do not make sharp turns at high speeds.
Fast and sharp turns could cause loss of control.
- Motion control levers must be in "NEUTRAL LOCK" position to safely enter and exit the operator's seat or to carry out maintenance and safety checks.

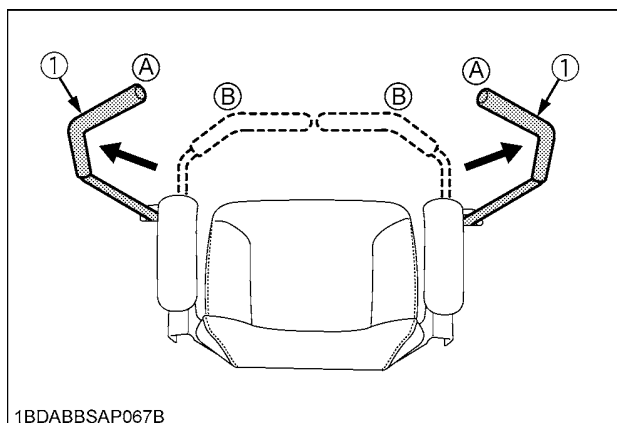
NOTE :

- To make restarting on the slopes easier, this machine has the "CREEP" position.
If you release hand pressure from the levers in the operating position, the levers move to the "CREEP" position automatically.

Stop position

◆ Neutral lock position

- Forward and reverse movement of the motion control levers are prevented when levers are in "NEUTRAL LOCK" position. (Engine can only be started with levers in this position.)



(1) Motion control levers

(A) "NEUTRAL LOCK" position

(B) "NEUTRAL" position
(held by hand)

Operating position

Machine speed and steering is controlled by the motion control levers, when the engine is running and the parking brake is released.

**CAUTION**

To avoid personal injury:

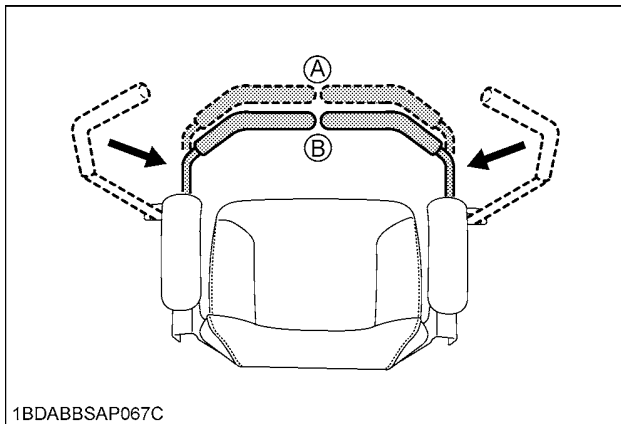
- No control is provided by the motion control levers when the engine is off.

◆ **Neutral position**

- Grasp the motion control levers and move them inward from the "NEUTRAL LOCK" position so that the machine is in "NEUTRAL". (Engine cannot be restarted.)

◆ **Creep position (Moves the machine slowly forward)**

- To make restarting on the slopes easier, this machine has the "CREEP" position.
- If hand pressure is released from the motion control levers after moving them from the "NEUTRAL LOCK" position with the engine running, the levers move to the "CREEP" forward position by spring pressure. When hand pressure is released from the motion control levers while in the reverse position with the engine running, the levers will return through neutral to the "CREEP" forward position by spring pressure.
- The machine moves forward at creep speed, when the levers are in the "CREEP" position.



(1) Motion control levers

(A) "CREEP" position

(B) "NEUTRAL" position
(held by hand)

◆ **Forward and Reverse Motion:**

1. Move throttle lever to the "FAST" position.
2. Release the parking brake.
3. Move both motion control levers from the "NEUTRAL LOCK" position inward to the "NEUTRAL" position.

4. Push the control levers slowly forward to begin forward motion.

To move reverse:

Pull both control levers slowly rearward at the same time to begin reverse motion.

To stop:

Move by hand and hold both motion control levers to the "NEUTRAL" position until the machine comes to a stop.

**CAUTION**

To avoid personal injury:

- The motion control lever adjustment is important to ensure the machine operates properly.

NOTE :

- The motion control linkages are adjustable. If adjustment is required, see "ADJUSTMENT" section. We recommend you to contact your local KUBOTA Dealer.

◆ **Re-start on the slopes****CAUTION**

To avoid personal injury:

- Do not stop or change directions on the slopes. These operations could cause loss of the machine traction or control. Starting procedure on the slopes is different from the usual start mode on a flat surface, understand how to re-start on the slopes and use extra caution.

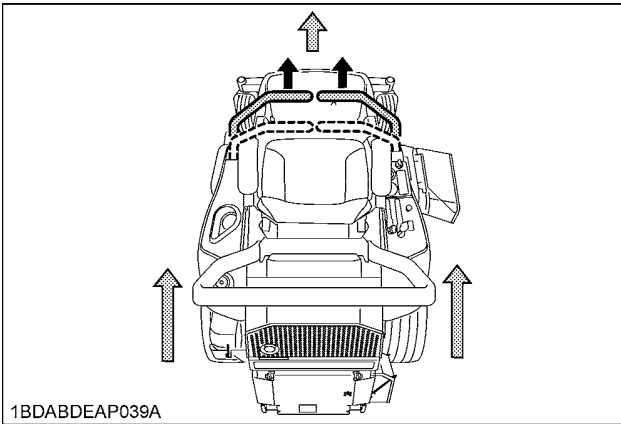
If a situation occurs where it is necessary to stop and re-start on a slope, refer to the following operational steps.

How to re-start on the slopes:

1. Firmly apply parking brake (enough to prevent movement).
2. Start the engine.
3. Set the throttle lever to the middle position.
4. Place the control levers inward to the "NEUTRAL" position gradually and then release them.
5. Release the parking brake within about 3 seconds. If you take more time, the engine will suddenly stop because of a safety device. (This is to prevent the machine from being operated with the parking brake applied.) When the engine stops, start over by firmly reapplying the parking brake, and repeat steps 2 through 5 and then 6.
6. Move the machine slowly and carefully. (Releasing your grasp on the levers allows spring pressure to automatically position the levers in the "CREEP" position.)

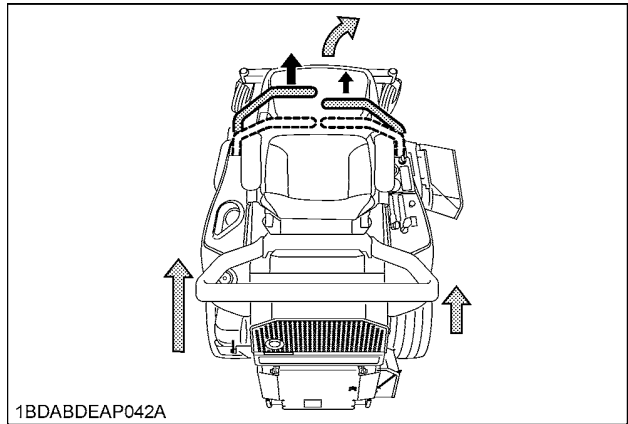
FORWARD:

- Push both motion control levers forward equally at the same time. For travel forward in a straight line.



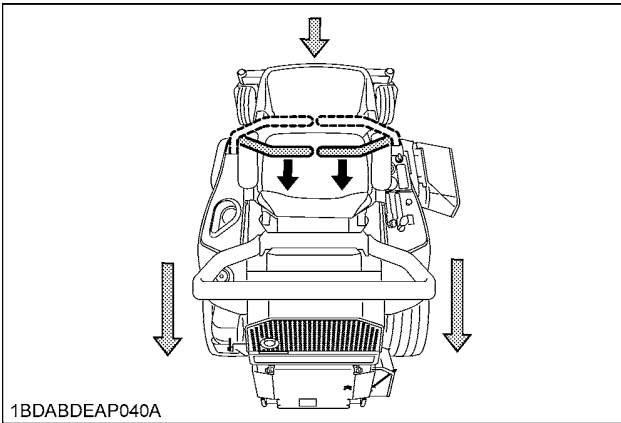
GENERAL RIGHT TURN:

- Push left motion control lever further forward than the right motion control lever. For forward travel to the right.



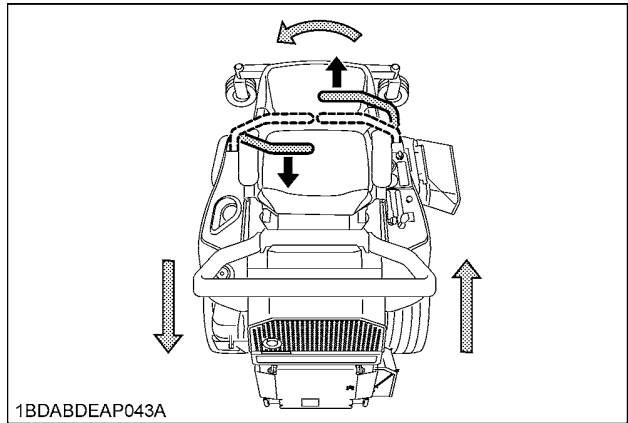
REVERSE:

- Pull both motion control levers past center rearward equally at the same time. For rearward travel in a straight line.



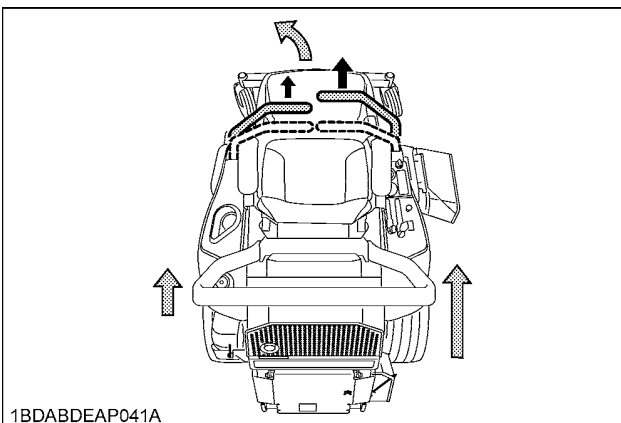
SHARP (ZERO) LEFT TURN:

- Push right motion control lever forward and pull left motion control lever rearward at the same time.



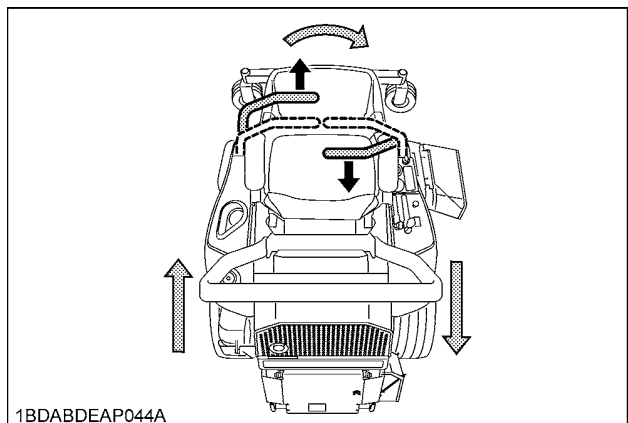
GENERAL LEFT TURN:

- Push right motion control lever further forward than the left motion control lever. For forward travel to the left.

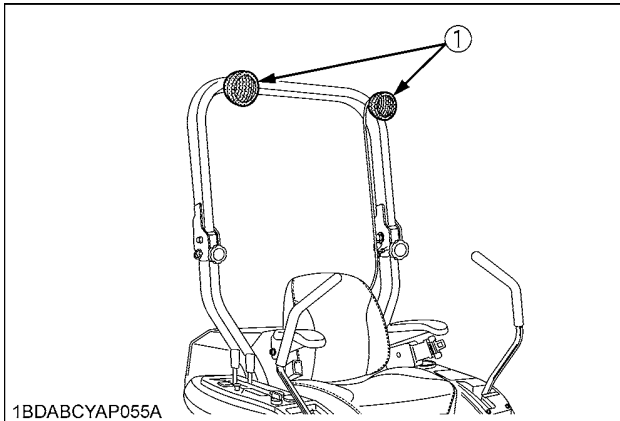


SHARP (ZERO) RIGHT TURN:

- Push left motion control lever forward and pull right motion control lever rearward at the same time.



WORK LIGHT (OPTIONAL KIT)



1BDABCYAP055A

(1) Work light

STOPPING



CAUTION

To avoid personal injury:

- Park the machine on level ground.
If necessary to park on an incline,
 - (1) Stop the machine,
 - (2) Apply the parking brake, then
 - (3) Stop the engine.
- If you stop the engine on an incline without applying the parking brake, the machine could move and run away.

IMPORTANT :

- The parking brake pedal is for parking and emergency use only. If the parking brake is applied when the motion control levers are not in "NEUTRAL LOCK" position, the engine will stop within approximately 3 seconds. This feature is to prevent brake and transmission damage during operation.
1. Move both motion control levers to the "NEUTRAL" position to stop the machine.
 2. Apply parking brake.
 3. Move both motion control levers to "NEUTRAL LOCK" position.
 4. Move the throttle lever to the half speed position and the shift PTO lever to the "DISENGAGE" (OFF) position.
 5. Lower all implements to the ground.
 6. Turn off the engine and remove the key.

PARKING

TO LOCK:

Depress the parking brake pedal firmly with your right foot, and the parking brake lock pedal simultaneously with your left foot. Then release the parking brake pedal while handling the parking brake lock pedal down.

TO UNLOCK:

Depress the parking brake pedal and release slowly with your right foot, without pressing the parking brake lock pedal.



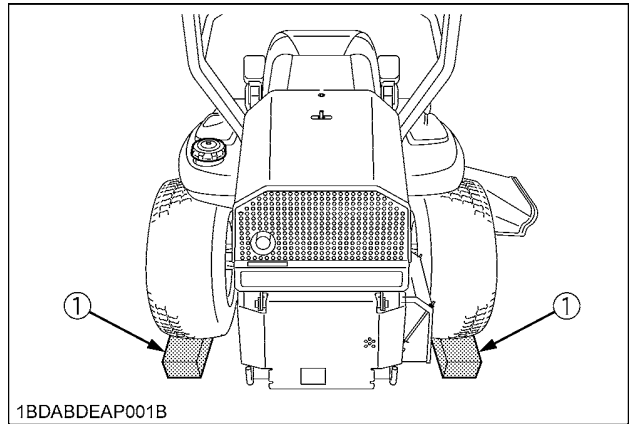
CAUTION

To avoid personal injury:

Before leaving the operator's position,

- Apply parking brake.
- Lower all implements to the ground.
- Shut off the engine.
- Remove the key.
- Place the motion control levers in the "NEUTRAL LOCK" position.

If necessary to park on an incline, be sure to chock the wheels on the downhill side to prevent accidental rolling of the machine.



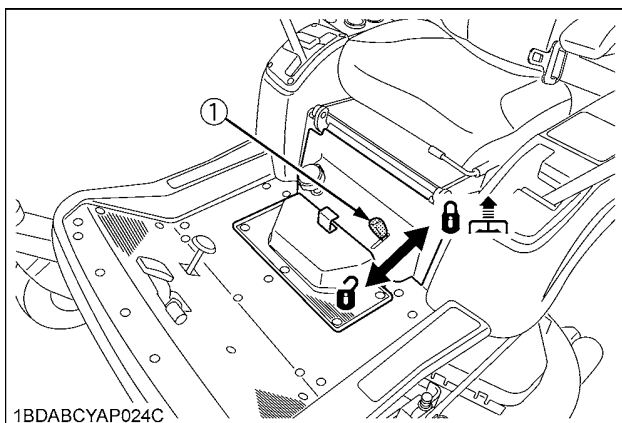
1BDABDEAP001B

(1) Chocks

TRANSPORTING

IMPORTANT :

1. Transport the machine on a trailer.
 - Fasten the machine to the trailer.
 - To prevent the hood from opening by wind while in transit, it is necessary to either load the machine backward or use a suitable tie down for the hood.
2. Do not attempt to tow this machine, or damage to the transmission may result.
3. During the long distance transporting, make sure to lift the mower by the hydraulic lift control pedal and move the lift lock lever in the "TRANSPORT LOCK" position.



1BDABCYAP024C

(1) Lift lock lever

🔒: "LOCK"
🔓: "UNLOCK"

OPERATING THE MOWER

MAKING THE MOST OF YOUR MOWER

1. When using your mower for the first time, choose a smooth level area and cut in straight and slightly overlapping strips.
2. The size and type of the area to be mowed will determine the proper mowing pattern. Take into account obstructions, such as trees, fences and buildings. To keep grass clippings off fences, sidewalks, etc., it is advisable to go over the outside of the area to be mowed several times in a clockwise direction. To mow the area remaining, work in a counterclockwise direction so that the clippings are dispersed onto the previously cut area.
3. Always keep the left side of the mower toward trees, posts or other obstacles on the first trip around the obstacle.
4. Most lawns should be mowed to keep the grass approximately 50 to 80 mm (2 to 3 in.) high. Best results are obtained by cutting often and not too short. To keep a green lawn, never mow more than one third of the height of the grass or a maximum of 25 mm (1 in.) in one mowing.
For extremely tall grass, set the cutting height at maximum cutting height for the first mowing, then reset to the desired height and mow again. Allow the grass to grow to 80 mm (3 in.), then cut off only the top inch.
5. For best appearance, grass should be cut in the afternoon or evening when it is free of moisture.

ADJUSTING CUTTING HEIGHT

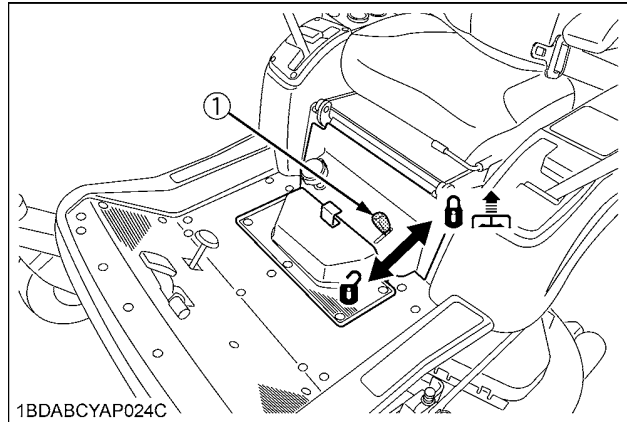


DANGER

To avoid serious injury or death:

- Do not engage the mower in the transport position.

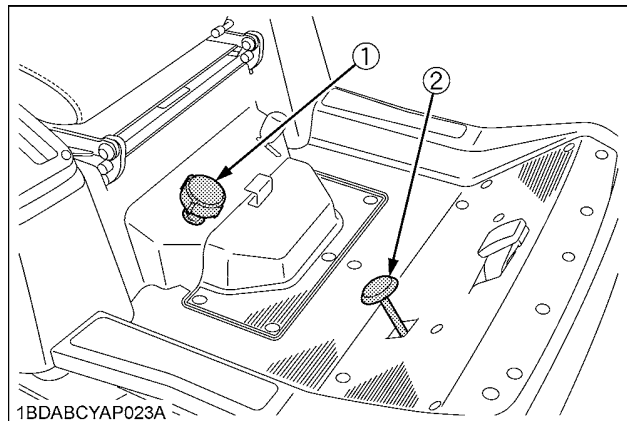
1. Before adjusting cutting height, check that all tire pressures are correct. If necessary adjust to the correct tire pressure.



(1) Lift lock lever

: "LOCK"
: "UNLOCK"

2. To set the cutting height, keep depressing the hydraulic lift control pedal firmly to raise mower deck to the top position. Make sure that the lift lock lever is in unlock position. Adjust the cutting height control dial to desired height.
3. Use the higher settings for mowing in a rough area or when mowing tall grass. Lower settings should be used only for smooth lawns where short grass is desired.



(1) Cutting height control dial

(2) Hydraulic lift control pedal

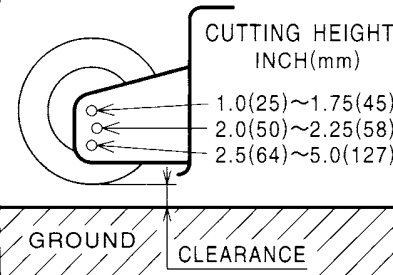
4. Lower the mower deck by releasing the hydraulic lift control pedal. This lowers the mower deck from the "TRANSPORT" position to the "OPERATING" position.
5. Adjust the anti-scalp rollers' height as recommended below for normal operating condition. To minimize gouging and roller damage or wear, the anti-scalp rollers will maintain the ground clearance of 19 mm (3/4 in.).

IMPORTANT :

- Never allow roller to contact the ground continuously as premature roller wear may develop if set incorrectly.
- Anti-scalp rollers must maintain a minimum clearance of 6 mm (1/4 in.) to the ground.

ANTI-SCALP ROLLER SETTING

Adjust the anti-scalp rollers' height as recommended below.



CUTTING HEIGHT
INCH(mm)

1.0(25)~1.75(45)

2.0(50)~2.25(58)

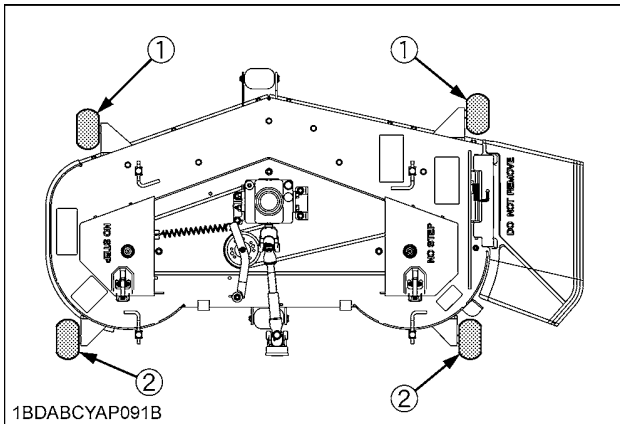
2.5(64)~5.0(127)

GROUND

CLEARANCE

Never allow roller to contact the ground continuously as premature roller wear may develop if set incorrectly.

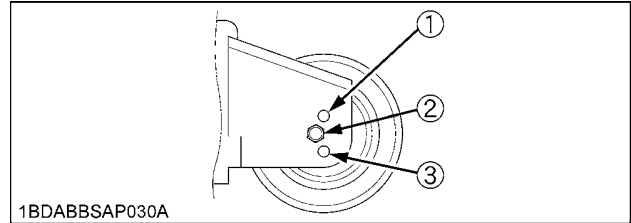
1BDABBSAP0130



(1) Anti-scalp roller (Front)
(2) Anti-scalp roller (Rear)

Reference

- Set the position for a recommended ground clearance of 19 mm (3/4 in.).
(Figure shows a setting position of cutting height 2.0" or 2.25")



1BDABBSAP030A

Cutting height inch (mm)	Position of bolts	(Ref.) Ground clearance between rollers and the ground
1.00" (25) *2	1	6 mm
1.25" (32) *3		12.4 mm
1.50" (38)		19.0 mm
1.75" (44)		25.4 mm
2.00" (50)	2	19.0 mm
2.25" (58)		25.4 mm
2.50" (64)	3	19.0 mm
2.75" (70)		25.4 mm
3.00" (76) *1		(31.8 mm)
3.25" (83) *1		(38.2 mm)
3.50" (89) *1		(44.6 mm)
3.75" (95) *1		(51.0 mm)
4.00" (102) *1		(57.4 mm)
4.25" (108) *1		(63.8 mm)
4.50" (114) *1		(70.2 mm)
4.75" (121) *1		(76.5 mm)
5.00" (127) *1	(83.0 mm)	

- *1. For cutting heights above 3.0". The anti-scalp rollers will still be effective against scalping.
- *2. Cutting height 1" is a ground clearance of 6 mm.
- *3. Cutting height 1.25" is a ground clearance of 12.4 mm.

OPERATING MOWER



DANGER

To avoid serious injury or death:

- Do not operate the mower without the discharge deflector being in place properly.



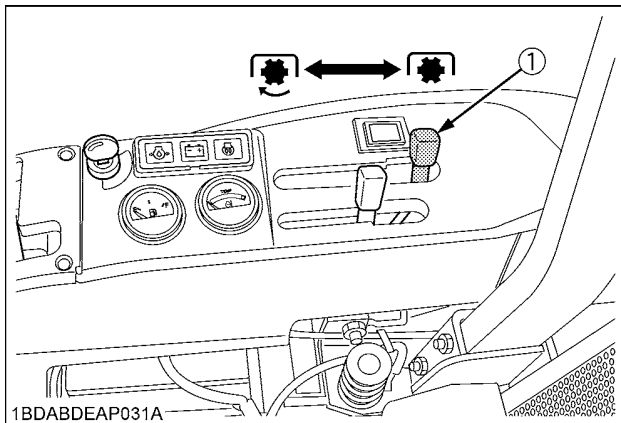
CAUTION

To avoid personal injury:

- Clear the work area of objects which might be picked up and thrown.
- Do not direct the opening of the deflector at bystanders especially children or animals. Ejected objects may cause injury. Plan your mowing carefully before starting operations.
- Keep bystanders and animals away from the mowing area.
- Be sure to disengage the PTO clutch of the mower before attempting to start the engine.

PTO Lever

To engage the PTO, move the PTO lever to the "ENGAGED" (ON) position.



(1) PTO lever

 "ENGAGED" (ON)

 "DISENGAGED" (OFF)

1. If you get off the seat while the PTO is running, the engine will stop automatically. (Operator presence control)
2. Before starting the engine, pull the PTO lever to the "DISENGAGED" (OFF) position. If it is at the "ENGAGED" (ON) position, the engine will not start.

NOTE :

- These safety features are built-in.

Starting



WARNING

To avoid serious injury or death:

- Engine components can get extremely hot from operation. To prevent severe burns, do not touch these areas while the engine is running, or immediately after it is turned off.
Never operate the engine without heat shields or guards.

1. Sit on the operator's seat.
2. Start the engine.
3. Engage the PTO lever.
4. Disengage the parking brake.
5. Speed up the engine by moving the throttle lever forward.
6. Push or pull the motion control levers to move forward or backward.

IMPORTANT :

- Never attempt to move the machine with the parking brake "ON".

NOTE :

- Keep the engine running at full throttle for best results. Control the travel speed with the motion control levers.
- During heavy duty use, operate the machine at a slower ground speed or go over the area twice.
- Keep the mower deck in the raised position when the mower is disengaged.
- The mower will not cut cleanly if the ground speed is too high or if the blade speed drops due to an overload.
- If debris builds up on the grass screen or other cooling air intake areas, stop the engine and clean them. Operating the engine with blocked or dirty air intake and cooling areas causes damage due to overheating.

TIRES AND WHEELS

TIRES



WARNING

To avoid personal injury:

- Do not attempt to mount a tire. This should be done by a qualified person with the proper equipment.
- Always maintain the correct tire pressure. Do not inflate tires above the recommended pressure shown in the Operator's Manual.
- Inflation pressure in front tires rises quickly when using compressed air.



CAUTION

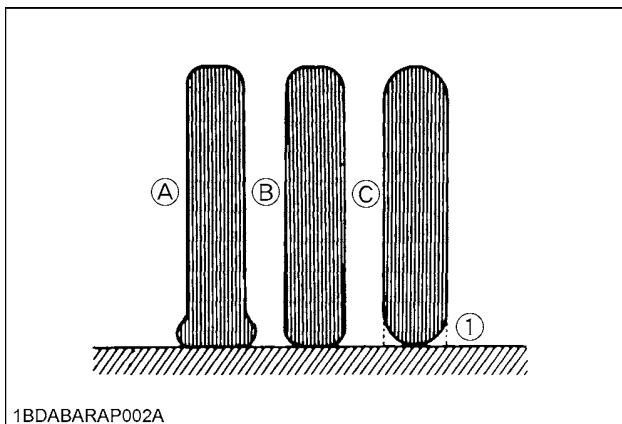
Never operate machine with a loose rim, wheel, or axle.

- Whenever bolts are loosened, retighten to specified torque.
- Check all bolts frequently and keep them tightened.

■ Inflation Pressure

Though the inflation pressure is factory-set to the prescribed level, it naturally drops slowly in the course of time. Thus, check it everyday and inflate as necessary.

	Tire sizes	Recommended Inflation Max. Pressure
Front	13 x 5.0 - 6, 4PR Rib	276 kPa (2.8 kgf/cm ² , 40psi)
Rear	23 x 10.5 - 12, 4PR Turf	140 kPa (1.4 kgf/cm ² , 20psi)



1BDABARAP002A

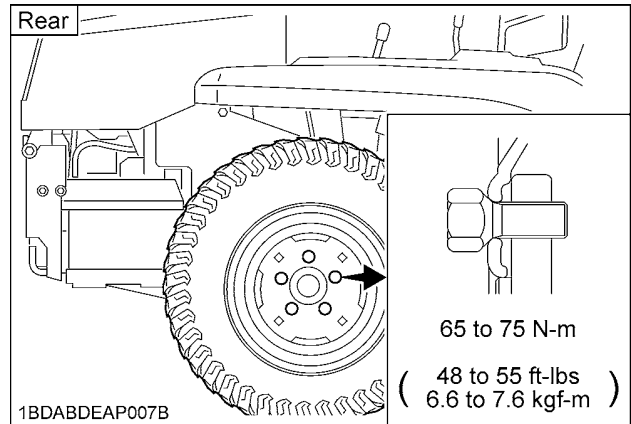
(1) Ground

(A) "INSUFFICIENT"
(B) "NORMAL"
(C) "EXCESSIVE"

WHEELS

IMPORTANT :

- When re-fitting a wheel, tighten the wheel bolt to the following torques then recheck after traveling 200 m (200 yards) changing directions several times.



Wheels with beveled or tapered holes:
Use the tapered wheel bolt.

■ Remove and Install Front Caster Wheels

◆ Removing

1. Park the machine on a firm and level surface.
2. Stop the engine and apply parking brake.
3. Lift the front of machine with a safe lifting device.
4. Remove the lock nut with nylon sleeve and wheel bolt.
5. Remove the wheel from assembly yoke.

◆ Installing

1. Install the replacement wheel.
2. Install the wheel bolt and lock nut with nylon sleeve.
3. Install the nut.

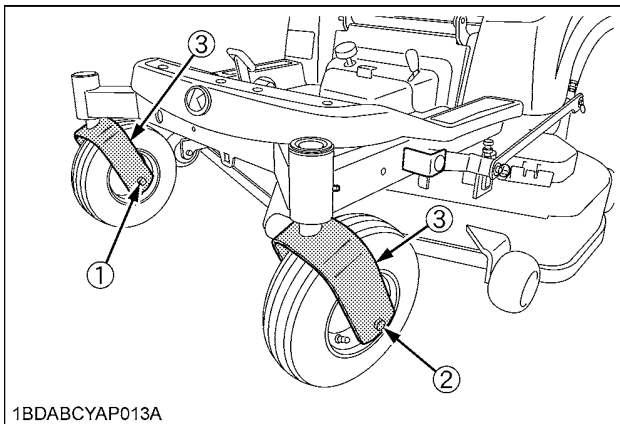
IMPORTANT :

- Insert the wheel bolt from the outside of the yoke.
- Tighten the nut gradually until wheel bearing play is eliminated and wheel turns freely by hand.

Reference

Tightening torque	20 to 25 N-m (14.8 to 18.4 ft-lbs) (2 to 2.5 kgf-m)
-------------------	---

4. Lower machine.



- (1) Lock nut
(2) Wheel bolt
(3) Yoke

MAINTENANCE

SERVICE INTERVALS

The following servicing tasks should be carried out on the machine at the stated running-time intervals.

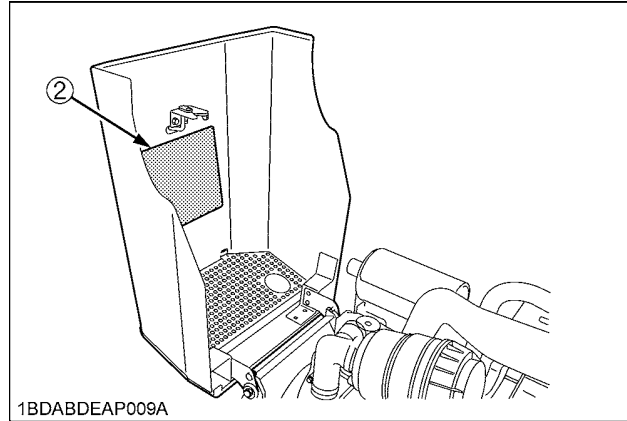
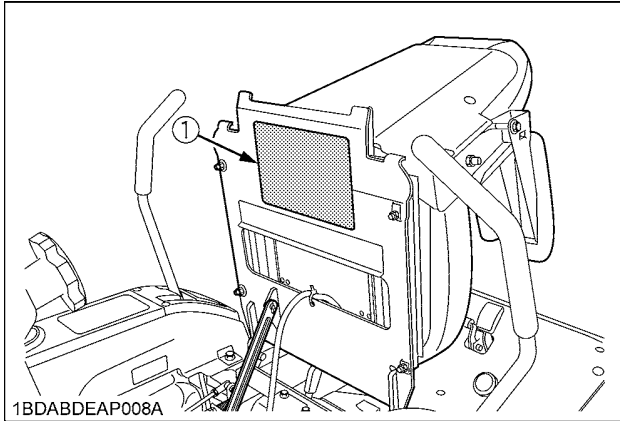
No.	Items		Indication hour meter (Hr)												Ref. Page		
			50	100	150	200	250	300	350	400	450	500	550	600			
1	Engine oil	Change	☉			○							○	every 200Hr	54		
2	Engine oil filter	Replace	☉			○							○	every 200Hr	55		
3	Transmission fluid and Rear axle gear case (RH & LH) fluid	Change								☉				every 400Hr	58		
4	Transmission oil filter [HST]	Replace	☉			○				○			○	every 200Hr	56		
5	Transmission strainer	Clean								☉				every 400Hr	59		
6	Motion control lever pivot	Adjust				○				○			○	every 200Hr	57		
7	Safety device	Check	○	○	○	○	○	○	○	○	○	○	○	every 50Hr	46		
8	Mower gear box oil	Check	○	○	○	○	○	○	○	○	○	○	○	every 50Hr	47		
		Change			○				○		○		○	every 150Hr	54		
9	Greasing (except mower)	-	○	○	○	○	○	○	○	○	○	○	○	every 50Hr	47		
10	Oiling	Oil	○	○	○	○	○	○	○	○	○	○	○	every 50Hr	48		
11	Air cleaner primary element	Clean		○		○		○		○		○		every 100Hr	50	*1	@
		Replace												every 1 year	60		
	Secondary element	Replace												every 1 year	60		
12	Fuel filter element	Check		○		○		○		○		○		every 100Hr	50		@
		Replace								○				every 400Hr	59	*2	
13	Fuel line	Check		○		○		○		○		○		every 100Hr	50		@
		Replace												every 2 years	61	*2	
14	Fan belt	Adjust		○		○		○		○		○		every 100Hr	51		
15	Parking brake	Adjust		○		○		○		○		○		every 100Hr	51	*2	
16	Battery condition	Check		○		○		○		○		○		every 100Hr	52		

No.	Items		Indication hour meter (Hr)												After since	Ref. Page		
			50	100	150	200	250	300	350	400	450	500	550	600				
17	Radiator hose and clamp	Check				○								○	every 200Hr	55		
		Replace													every 2 years	61	*2	
18	Hydraulic hose	Check				○								○	every 200Hr	56		
		Replace													every 2 years	61	*2	
19	Intake air line	Check				○								○	every 200Hr	57		@
		Replace													every 2 years	61	*4	
20	Fuel injection nozzle injection pressure	Check													every 1500Hr	60	*3	@
21	Injection pump	Check													every 3000Hr	60	*3	@
22	Radiator	Clean													every 1 year	61		
23	Coolant	Change													every 1 year	60		
24	Mower gear box oil seal	Replace													every 2 years	61	*2	
25	Fuel system	Bleed													Service as required	64		
26	Fuse	Replace												62				
27	Blade	Replace												62				
28	Mower belt	Replace												64				

IMPORTANT :

- The jobs indicated by ○ must be done initially.
 - *1 This maintenance should be done daily more often in dusty condition than in normal conditions.
Suggested cleaning interval is every 100 hours in normal conditions.
 - *2 These items should be serviced by an authorized KUBOTA Dealer, unless the owner has the proper tools and is mechanically proficient.
 - *3 Consult your local KUBOTA Dealer for this service.
 - *4 Replace only if necessary.
- The items listed above (@ marked) are registered as emission related critical parts by KUBOTA in the U.S.EPA non-road emission regulation. As the engine owner, you are responsible for the performance of the required maintenance on the engine according to the above instruction.
Please see the Warranty Statement in detail.

PERIODIC SERVICE CHART LABEL



(1) Part No. K3131-6552-4 (ENGLISH)

PERIODIC SERVICE CHART		PERIODIC SERVICE CHART				
INTERVAL	RECOMMENDED SERVICE ※	INTERVAL	RECOMMENDED SERVICE ※			
DAILY	CHECK 1. Tire pressure, wear, or damage. 2. Oil and water (leakage from machine and mower engine and transmission oil, radiator and recovery tank coolers and fuel level). 3. Damage to machine body, tightness of all bolts, nuts and pins, etc. 4. Mower blades and belt for wear or damage. 5. Parking brake, speed control levers, all safety switches and safety choker functions. 6. Color of the exhaust fumes, abnormal noise and vibrations. CLEAN 1. Radiator screen and cow, panel screen, air cleaner primary element and mower deck. 2. Mower Upper(3 places) 3. Spindle (small(3 places)/ Belt tension pulley(1 place)/ Belt tension pivot(1 place)	E 50 Hr. OIL • Mower gear box oil / Safety device • Throttle cable (2 places) / Motion control lever pivot bushing and contact position (2 places each) • Mower lift cable (1 place) CHECK • Front axle and wheel (4 places) / Universal joint(3 places) / Seat adjuster (2 places) / Parking brake lock pedal CLEAN • Air cleaner primary element ★ ADJUST • Fan belt / Parking brake ⌘ CHANGE • Mower gear box oil	CHECK • Radiator hose and clamp / Hydraulic hose / Intake Air Line REPLACE • Engine oil filter / Transmission oil filter CHANGE • Engine oil CLEAN • Motion control lever pivot • Transmission strainer REPLACE • Fuel filter element CHANGE • Transmission & Rear axle gear case (RH & LH) fluid CHECK • Fuel Injection Nozzle Injection Pressure INJECTION PUMP • Injection Pump CLEAN • Radiator REPLACE • Air cleaner both elements CHANGE • Coolant REPLACE • Radiator hose and clamp / Hydraulic hose / Fuel line / Mower gear box oil seal / Intake Air Line (if necessary)	CHECK • Mower gear box oil / Safety device • Throttle cable (2 places) / Motion control lever pivot bushing and contact position (2 places each) • Mower lift cable (1 place) CHECK • Front axle and wheel (4 places) / Universal joint(3 places) / Seat adjuster (2 places) / Parking brake lock pedal CLEAN • Air cleaner primary element ★ ADJUST • Fan belt / Parking brake ⌘ CHANGE • Mower gear box oil CHECK • Radiator hose and clamp / Hydraulic hose / Intake Air Line REPLACE • Engine oil filter / Transmission oil filter CHANGE • Engine oil CLEAN • Motion control lever pivot • Transmission strainer REPLACE • Fuel filter element CHANGE • Transmission & Rear axle gear case (RH & LH) fluid CHECK • Fuel Injection Nozzle Injection Pressure INJECTION PUMP • Injection Pump CLEAN • Radiator REPLACE • Air cleaner both elements CHANGE • Coolant REPLACE • Radiator hose and clamp / Hydraulic hose / Fuel line / Mower gear box oil seal / Intake Air Line (if necessary)		
					REPLACE • Engine & Transmission oil filters (2 places)	REPLACE • Engine oil
					CHANGE • Transmission strainer	CHANGE • Transmission & Rear axle gear case(RH & LH) fluid
					CHANGE • Transmission & Rear axle gear case(RH & LH) fluid	
					※ See Operator's Manual in details.	
					★ Should be serviced by KUBOTA Dealer.	
					★ Required more often in dusty conditions.	
	Approximate fluid capacities.		Tire pressure and tightening torque recommendation			
	Engine	20.2(5.3) (7.7qt)	Front	13x5.0-6 276 KPa (40 psi) Inflate smooth rotation of wheel <Do not over tighten >		
	Radiator / Reserve tank	2.1L (2.2qt) / (0.25L(0.26qt))	Rear	23x10.5-12 140 KPa (20 psi) 65-75 Nm(40-55 ft. lbs)		
Transmission	7.5L(7.9qt)					
Mower gear box	0.15L(0.16qt)					

1BDABDEAP033A

(2) Part No. K3131-6553-4 (SPANISH)

TABLA DE SERVICIO PERIODICO		TABLA DE SERVICIO PERIODICO				
INTERVALO	SERVICIO RECOMENDADO ※	INTERVALO	SERVICIO RECOMENDADO ※			
DIARIO	REVISAR 1. Presión, desgaste y daño de los neumáticos. 2. Fugas de aceite y agua de la máquina y del cortacésped. 3. Aceite del motor, fluido de transmisión, refrigerante del tanque de recuperación y nivel de combustible. 4. Daño a la carcasa de la máquina, ajuste de todos los pernos, tuercas y pines, etc. 5. Hojas de correa, desgaste o daño de la correa del cortacésped. 6. Freno de estacionamiento, palancas de control de velocidad, todos los interruptores de seguridad y funciones para una fácil inspección. 7. Color del humo del escape, ruido y vibraciones anormales. LIMPIAR • Filtro del radiador, centro del radiador, filtro del panel y elemento primario del filtro de aire AJUSTAR • Junta universal del cortacésped (lugares) / Eje de husillo (lugares) / Pales de tensión de la correa (lugares) / Puntos de tensión de la correa (lugares) CAMBIAR • Filtros de aceite del motor y transmisión (lugares) CAMBIAR • Aceite del motor CAMBIAR • Filtro de la transmisión CAMBIAR • Fluido de la caja de transmisión y cambio del eje posterior (VER: 4.122)	REVISAR • Aceite de la caja de cambios del cortacésped / Dispositivo de seguridad • Cable de estrangulamiento (lugares) / Bujes de pivote de la palanca de control de movimiento y posición de control (lugares cada uno) • Cable de elevación de la segadora (lugares) • Eje frontal y rueda (lugares) / Junta universal (lugares) / Regulador del asiento (lugares) / Pivote de bloqueo del freno de estacionamiento REVISAR • Elemento de filtro de combustible / Línea de combustible / Condición de la batería AJUSTAR • Correa del ventilador / Freno de estacionamiento ⌘ LIMPIAR • Aceite de la caja de cambios del cortacésped CAMBIAR • Manguera y abrazadera del radiador / Manguera del sistema hidráulico / Línea de toma de aire CAMBIAR • Filtro de aceite del motor / Filtro de aceite de la transmisión CAMBIAR • Filtro de la transmisión CAMBIAR • Elemento de filtro de combustible CAMBIAR • Fluido de la caja de transmisión y cambio del eje posterior (VER: 4.122) CAMBIAR • Presión de inyección de la boquilla de inyección de combustible CAMBIAR • Bomba de inyección CAMBIAR • Radiador CAMBIAR • Ambos elementos filtro de aire CAMBIAR • Refrigerante CAMBIAR • Manguera y abrazadera del radiador / Manguera del sistema hidráulico / Línea de combustible / Sellos del aceite de la caja de cambios del cortacésped / Línea de toma de aire (si es necesario)	REVISAR • Aceite de la caja de cambios del cortacésped / Dispositivo de seguridad • Cable de estrangulamiento (lugares) / Bujes de pivote de la palanca de control de movimiento y posición de control (lugares cada uno) • Cable de elevación de la segadora (lugares) • Eje frontal y rueda (lugares) / Junta universal (lugares) / Regulador del asiento (lugares) / Pivote de bloqueo del freno de estacionamiento REVISAR • Elemento de filtro de combustible / Línea de combustible / Condición de la batería AJUSTAR • Correa del ventilador / Freno de estacionamiento ⌘ LIMPIAR • Aceite de la caja de cambios del cortacésped CAMBIAR • Manguera y abrazadera del radiador / Manguera del sistema hidráulico / Línea de toma de aire CAMBIAR • Filtro de aceite del motor / Filtro de aceite de la transmisión CAMBIAR • Filtro de la transmisión CAMBIAR • Elemento de filtro de combustible CAMBIAR • Fluido de la caja de transmisión y cambio del eje posterior (VER: 4.122) CAMBIAR • Presión de inyección de la boquilla de inyección de combustible CAMBIAR • Bomba de inyección CAMBIAR • Radiador CAMBIAR • Ambos elementos filtro de aire CAMBIAR • Refrigerante CAMBIAR • Manguera y abrazadera del radiador / Manguera del sistema hidráulico / Línea de combustible / Sellos del aceite de la caja de cambios del cortacésped / Línea de toma de aire (si es necesario)	REVISAR • Aceite de la caja de cambios del cortacésped / Dispositivo de seguridad • Cable de estrangulamiento (lugares) / Bujes de pivote de la palanca de control de movimiento y posición de control (lugares cada uno) • Cable de elevación de la segadora (lugares) • Eje frontal y rueda (lugares) / Junta universal (lugares) / Regulador del asiento (lugares) / Pivote de bloqueo del freno de estacionamiento REVISAR • Elemento de filtro de combustible / Línea de combustible / Condición de la batería AJUSTAR • Correa del ventilador / Freno de estacionamiento ⌘ LIMPIAR • Aceite de la caja de cambios del cortacésped CAMBIAR • Manguera y abrazadera del radiador / Manguera del sistema hidráulico / Línea de toma de aire CAMBIAR • Filtro de aceite del motor / Filtro de aceite de la transmisión CAMBIAR • Filtro de la transmisión CAMBIAR • Elemento de filtro de combustible CAMBIAR • Fluido de la caja de transmisión y cambio del eje posterior (VER: 4.122) CAMBIAR • Presión de inyección de la boquilla de inyección de combustible CAMBIAR • Bomba de inyección CAMBIAR • Radiador CAMBIAR • Ambos elementos filtro de aire CAMBIAR • Refrigerante CAMBIAR • Manguera y abrazadera del radiador / Manguera del sistema hidráulico / Línea de combustible / Sellos del aceite de la caja de cambios del cortacésped / Línea de toma de aire (si es necesario)		
					REPLACE • Engine & Transmission oil filters (2 places)	REPLACE • Engine oil
					CHANGE • Transmission strainer	CHANGE • Transmission & Rear axle gear case (RH & LH) fluid
					CHANGE • Transmission & Rear axle gear case (RH & LH) fluid	
					※ Consulte el Manual del Operador para obtener más información.	
					★ El servicio de mantenimiento debe proporcionarlo un distribuidor de KUBOTA.	
					★ Se requiere más seguido en condiciones polvorientas.	
	Capacidades de fluido (aproximadas).		Recomendación de presión para neumáticos y par de ajuste			
	Motor	20.2(5.3) (7.7qt)	Frontal	13x5.0-6 276 KPa (40 psi) Asegure rotación libre de la rueda <No apriete en exceso >		
	Radiador / Tanque de reserva	2.1L (2.2qt) / (0.25L(0.26qt))	Posterior	23x10.5-12 140 KPa (20 psi) 65-75 Nm(40-55 pies · lbs)		
Transmisión	7.5L (7.9qt)					
Caja de cambios del cortacésped	0.15L (0.16qt)					

1BDABDEAP034A

LUBRICANTS, FUEL AND COOLANT

Place	Capacities	Lubricants	
	ZD221		
Fuel	23 L (6.1 U.S. gals.)	<ul style="list-style-type: none"> • No.2-D diesel fuel • No.1-D diesel fuel if temperature is below -10 °C (14 °F) 	
Coolant	2.1 L (2.2 U.S.qts.)	Fresh clean water with anti-freeze	
Recovery tank	0.25 L (0.26 U.S.qts.)		
Engine crankcase	3.5 L (3.7 U.S.qts.)	<ul style="list-style-type: none"> • Engine oil: API service Classification CF or better Above 25 °C ...SAE30, SAE10W-30 or 15W-40 (77 °F) 0 to 25 °CSAE20, SAE10W-30 or 15W-40 (32 to 77 °F) Below 0 °CSAE10W, SAE10W-30 or 15W-40 (32 °F) 	
Transmission case with filter & hose Rear axle gear case (RH & LH)	7.5 L (7.9 U.S.qts.)	<ul style="list-style-type: none"> • KUBOTA UDT or SUPER UDT fluid*1 	
Mower gear box	0.15 L (0.16 U.S.qts.)	SAE90 gear oil (API service classification: more than GL-3)	
Greasing	No. of greasing points	Capacity	Type of grease
Front axle	2	Until grease overflows	<ul style="list-style-type: none"> • Multi purpose EP2 Grease (NLGI Grade No. 2)
Front wheel	2		
Parking brake lock pedal	1		
Front lift arm	2		
Universal joint	3		
Seat adjuster	2		
Cable (throttle cable, mower lift cable)	3	Moderate amount	<ul style="list-style-type: none"> • Oil
Motion control lever pivot bushing, and contact position	6		
[MOWER]		Until grease overflows	<ul style="list-style-type: none"> • Multi purpose EP2 Grease (NLGI Grade No. 2)
Universal joint	3		
Three spindle shafts	3		
Belt tension pulley	1		
Belt tension pivot	1		
Anti scalp roller	1		
Front anti scalp roller pivot boss	2		

Note * Oil amount when the oil level is at the upper level of the oil level gauge.

IMPORTANT :

- To prevent serious damage to hydraulic systems, use only KUBOTA genuine fluid or its equivalent.

NOTE :

◆ Engine Oil:

- Oil used in the engine should have an American Petroleum Institute (API) service classification and Proper SAE Engine Oil according to the ambient temperatures as shown above:
- With the emission control now in effect, the CF-4 and CG-4 lubricating oils have been developed for use of a low-sulfur fuel on on-road vehicle engines. When an off-road vehicle engine runs on a high-sulfur fuel, it is advisable to employ the "CF or better" lubricating oil with a high Total Base Number (TBN). **If the "CF-4, CG-4, CH-4 or CI-4" lubricating oil is used with a high-sulfur fuel, change the lubricating oil at shorter intervals. (approximately half)**
- Lubricating oil recommended when a low-sulfur or high-sulfur fuel is employed.

○ : Recommendable X : Not Recommendable

Lubricating oil class	Fuel		Remark
	Low-sulfur	High-sulfur	
CF	○	○	TBN ≥ 10
CF-4	○☆	X	
CG-4	○☆	X	
CH-4	○☆	X	
CI-4	○	X	

☆: Class CF-4, CG-4 and CH-4 engine oils cannot be used on EGR (Exhaust Gas Re-circulation) type engines.

- The CJ-4 engine oil is intended for DPF (Diesel Particulate Filter) type engines, and cannot be used on this machine.

◆ Fuel:

- Cetane number of 45 minimum. Cetane number greater than 50 is preferred, especially for temperatures below -20 °C or elevations above 1500 m.
- If diesel fuel with sulfur content greater than 0.5% sulfur content is used, reduce the service interval for engine oil and filter by 50%.
- DO NOT use diesel fuel with sulfur content greater than 1.0%.
- Diesel fuels specified to EN 590 or ASTM D975 are recommended.
- No.2-D is a distillate fuel of lower volatility for engines in industrial and heavy mobile service. (SAE J313 JUN87)
- Since this engine adopts EPA Tier 4 and Interim Tier 4 standards, the use of low sulfur fuel or ultra low sulfur fuel is mandatory in EPA regulated area (North America). Therefore, please use No.2-D S500 or S15 diesel fuel as an alternative to No.2-D, or use No.1-D S500 or S15 diesel fuel as an alternative to No.1-D if outside air temperature is below -10 °C.

◆ Transmission oil:

The oil used to lubricate the transmission is also used as hydraulic fluid. To insure proper operation of the hydraulic system and to complete lubrication of the transmission, it is important that a multi-grade transmission fluid is used in this system. We recommend the use of **KUBOTA UDT or SUPER UDT fluid** for optimum protection and performance. (Consult your local KUBOTA Dealer for further detail.)

Do not mix different brands together.

- Indicated capacities of water and oil are manufacturer's estimate.

PERIODIC SERVICE

HOW TO OPEN THE HOOD AND STEP



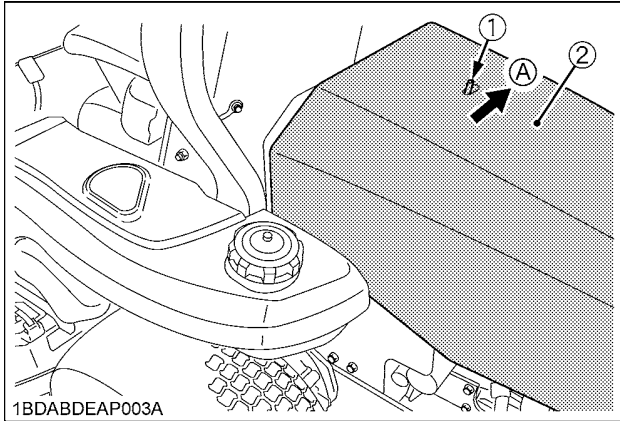
CAUTION

To avoid personal injury from contact with moving parts:

- Never open the hood while the engine is running.
- Never open the step while the engine is running.
- Do not touch muffler or exhaust pipes while they are hot; Severe burns could result.

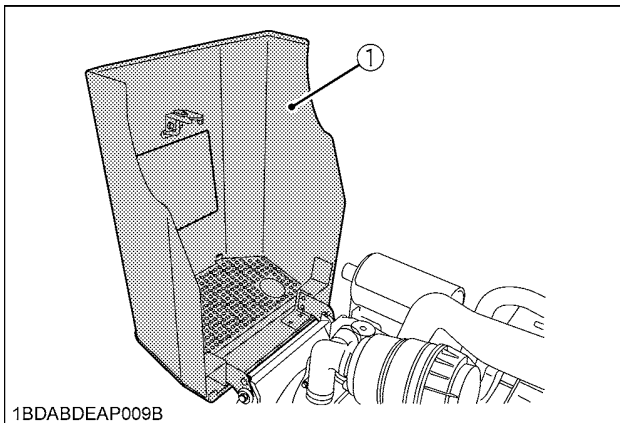
■ Hood

To open the hood, pull the lever sideward, and then open.



(1) Lever
(2) Hood

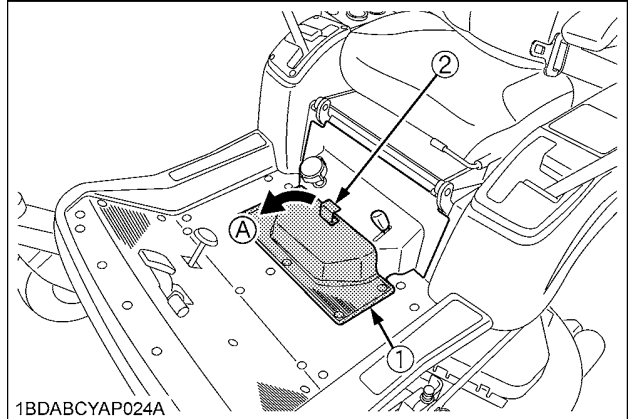
(A) "RELEASE"



(1) Hood

■ Step

To open the step, pull the grip.



(1) Step
(2) Grip

(A) "PULL"

HOW TO RAISE THE OPERATOR'S SEAT

◆ Raise

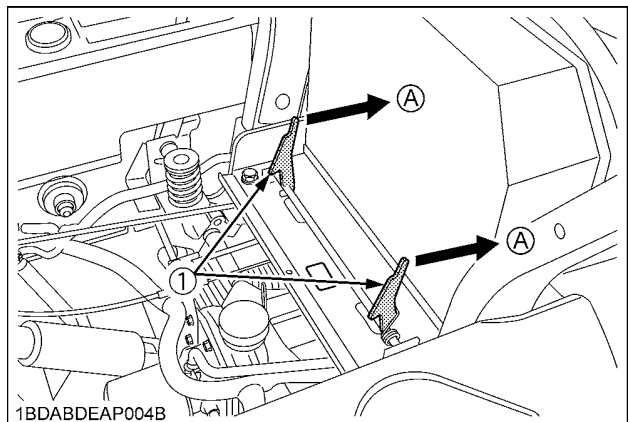


CAUTION

To avoid personal injury:

- Fully raise the operator's seat.
(To the locked position)
Do not keep the seat halfway.

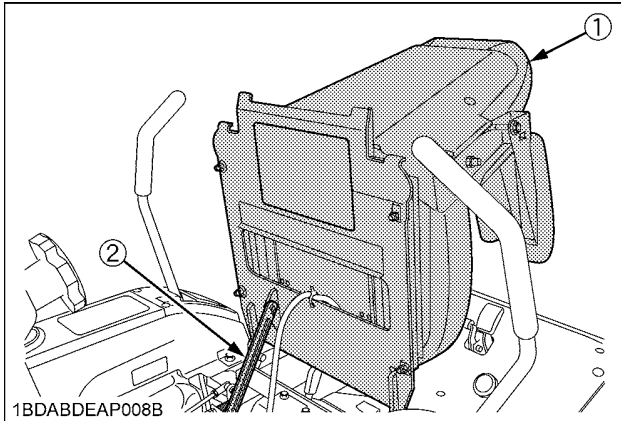
1. Seat must be all the way back before raising.
2. Pull the latch lever on the seat panel forward.



(1) Latch lever

(A) "PULL"

3. Raise the operator's seat to the "LOCK" position.



(1) Operator's seat
(2) Seat support rod

◆ Lower



CAUTION

To avoid personal injury:

- Do not drop the seat to close it.
- Watch your hands. Do not place your hands under the seat, when closing.

1. Pull up the seat support rod and release the "LOCK".
2. Lower the seat slowly to lock.
3. Slide the seat to proper position.

HOW TO OPEN THE LEVER GUIDE



CAUTION

To avoid personal injury:

- Park the machine on a firm and level surface.
- Stop the engine, remove the key and apply the parking brake.

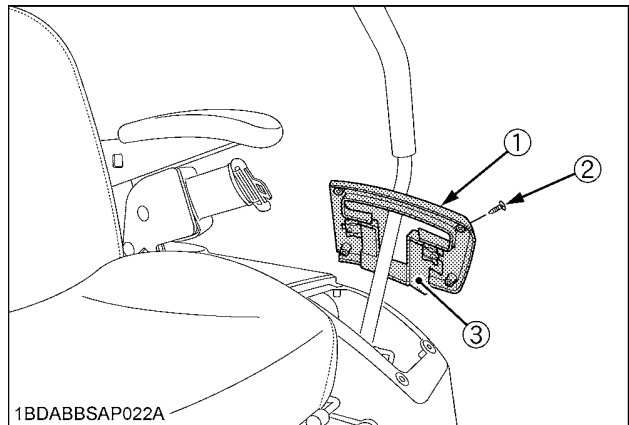
1. Remove the four screws of the lever guide.
2. Pull up the lever guide.

How to install the lever guide.

1. Install the lever guide.
2. Tighten the screws.

IMPORTANT :

- If the lever cover is out of alignment with the motion lever, move the lever cover to align it with the motion lever.



1BDABBSAP022A

- (1) Lever guide
(2) Screw
(3) Lever cover

LIFT-UP POINT



WARNING

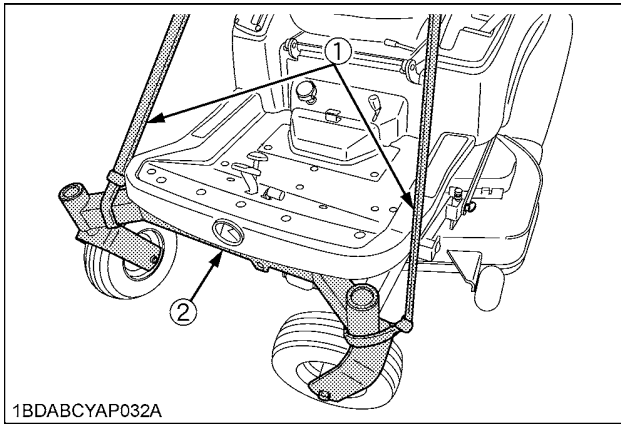
To avoid personal injury, death or machine damage:

- Do not work under the machine unless it is secured by safe stands or suitable blocking.

■ Front side:

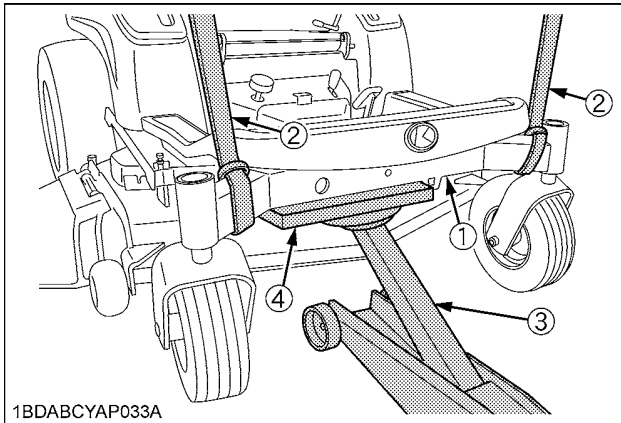
Hook nylon slings at the front frame.

Hoist the front frame with the nylon sling or jack up the front frame.



1BDABCYAP032A

- (1) Nylon sling
- (2) Front frame

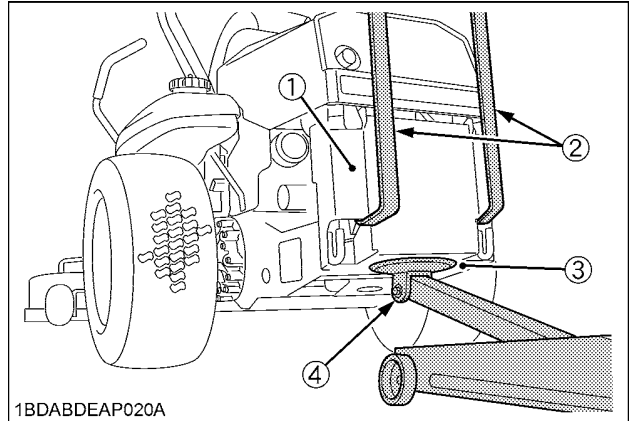


1BDABCYAP033A

- (1) Front frame
- (2) Nylon sling
- (3) Jack
- (4) Wood block

■ Rear side:

Hoist the rear frame with nylon slings. Or jack up the bottom plate.



1BDABDEAP020A

- (1) Rear frame
- (2) Nylon sling
- (3) Bottom plate
- (4) Jack

DAILY CHECK

To prevent trouble from occurring, it is important to know the condition of the machine. Check it before starting.



CAUTION

To avoid personal injury:

- Be sure to check and service the machine on a level surface with the engine shut off, the key removed and the parking brake securely set or chock the rear wheels.

	No.	Check item	Ref. Page
Walking around the machine	1	Tire pressure, wear and damage	31 43
	2	Oil and water leak	-
	3	Engine oil level	42
	4	Transmission fluid level	44
	5	Coolant level in the radiator and the recovery tank	45
	6	Damage of machine body, tightness of all bolts and nuts	-
	7	Radiator screen	43
	8	Brake play	51
	9	Oiling	48
	10	Fuel level	42
	11	Air cleaner primary element	50
Mower	1	Oil leak	47
	2	Make sure blade cap screws are tight	62
	3	Blades wear or damage	62
	4	Check all hardware.	-
	5	Make sure all pins are in place	-
	6	Mower deck cleaning	-
	7	Greasing <ul style="list-style-type: none"> ● Universal joint ● Three spindle shafts ● Belt tension pulley ● Belt tension pivot ● Front anti-scalp roller ● Front anti-scalp roller bracket boss 	45

	No.	Check item	Ref. Page
While sitting in the operator's seat	1	Motion control lever	-
	2	Parking brake	-
Turning the key switch "ON"	1	Performance of the Easy Checker (TM) light	14
Starting the engine	1	Color of the exhaust fumes	-
	2	Safety start switch, seat safety control and other safety devices. If either of these do not operate properly, contact your local KUBOTA Dealer immediately.	46
	3	Check for abnormal noise and vibration.	-
Others	1	Check the areas where previous trouble was experienced.	-

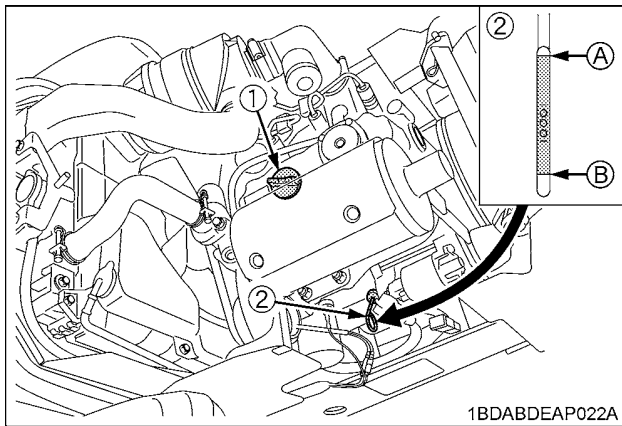
■ Checking Engine Oil Level



To avoid personal injury:

- Always stop the engine and remove the key before checking oil.

1. Check engine oil before starting and 5 minutes or more after the engine has stopped.
2. Wipe dipstick area clean.
3. To check the oil level, remove the dipstick, wipe it clean, replace it, and draw it out again. Check to see that the oil level is between the two notches.
4. Add new oil to the prescribed level at the oil port if necessary.



- (1) Engine oil port (A) "UPPER LEVEL"
 (2) Oil level dipstick (B) "LOWER LEVEL"

5. When using a different brand or viscosity oil from the previous one, remove all of the old oil and oil filter. Never mix two different types of oil.
6. Use the proper Engine Oil SAE according to the ambient temperatures. (See "LUBRICANTS, FUEL AND COOLANT" in "MAINTENANCE" section.)

■ Checking Amount of Fuel and Refueling



To avoid personal injury:

- Handle fuel carefully. If the engine is running, do not fill the fuel tank. If engine is hot, let engine cool several minutes before adding fuel. Do not smoke while filling the fuel tank or servicing the fuel system. Fill fuel tank only to bottom of filler neck.



Check the fuel level. Take care that the fuel tank does not become empty.

Fuel tank capacity	23 L (6.1 U.S.gals.)
--------------------	----------------------

IMPORTANT :

- Use Diesel Fuel Only
1. Use No.2 diesel fuel.
 2. Use No.1 diesel fuel if the temperature is below -10 °C (14 °F).
 3. Always use a strainer when refueling to prevent fuel injection pump contamination.

NOTE :

- No.2-D is a distillate fuel of lower volatility for engines in industrial and heavy mobile service. (SAE J313 JUN87)
 Grade of Diesel Fuel Oil according to ASTM D975.

Flash point °C (°F)	Water and Sediment, volume %	Carbon Residue on, 10 percent Residuum, %	Ash, weight %
Min	Max	Max	Max
52 (125)	0.05	0.35	0.01

Distillation Temperature s °C (°F) 90% Point		Viscosity Kinematic cSt or mm ² /s at 40 °C		Viscosity saybolt, SUS at 100 °F		Sulfur, weight %	Copper strip Corrosion	Cetane Number
Min	Max	Min	Max	Min	Max	Max	Max	Min
282 (540)	338 (640)	1.9	4.1	32.6	40.1	0.50	No.3	40

■Checking and Cleaning Radiator Screen to Prevent Overheating

⚠ CAUTION

To avoid personal injury:

- Be sure to stop the engine and remove the key before cleaning.

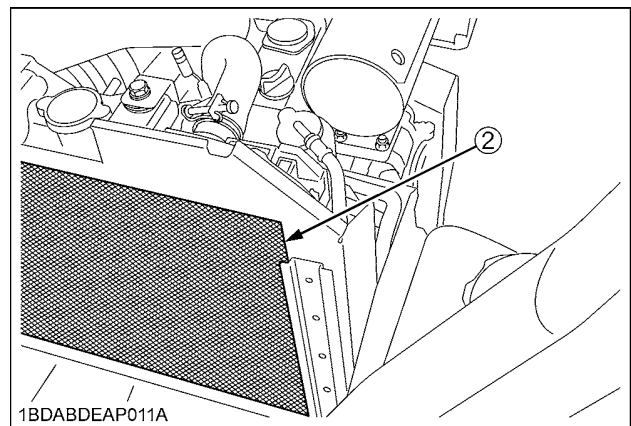
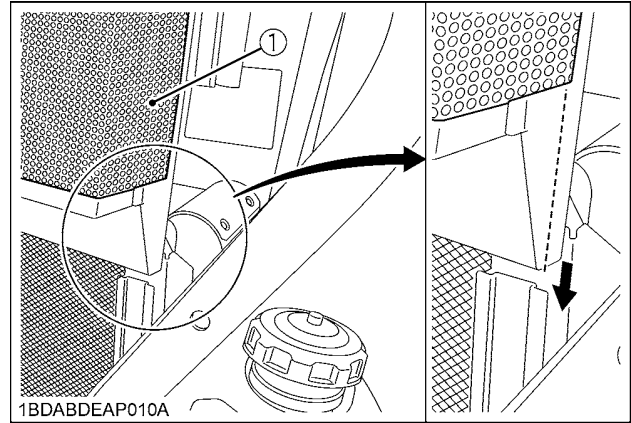
IMPORTANT :

- The air intake area must be clear of debris to prevent the engine from overheating.

Daily or after every 5 hours of operation, check to be sure the radiator screen and the radiator core are clean.

Dirt or chaff on the radiator screen or radiator core decrease cooling performance.

1. Remove the radiator screen and the panel screen, and remove all foreign material.
2. Remove the dust from between the fins and the tube.
3. Tighten the fan drive belt as necessary. For this, refer to "EVERY 100 HOURS" in "PERIODIC SERVICE" section.
4. If the scale forms in the tube, clean with the scale inhibitor or its equivalent.
5. Each time the panel screen is covered with grass during operation, rub it off the screen with the hand. Check the radiator screen from time to time if grass accumulates.
6. If the dust or chaff has accumulated inside of the panel, remove the radiator screen and clean inside completely.
After cleaning, replace the radiator screens properly.



(1) Panel screen
(2) Radiator screen

NOTE :

- When assembling the panel screen, be sure to fit it in the runners.

■Checking Tire Pressure

⚠ WARNING

To avoid personal injury:

- Do not attempt to mount a tire on a rim. This should be done by a qualified person with the proper equipment.
- Always maintain the correct tire pressure. Inflation pressure in front tires rises quickly when using compressed air. Do not inflate tires above the recommended pressure shown in the Operator's Manual.

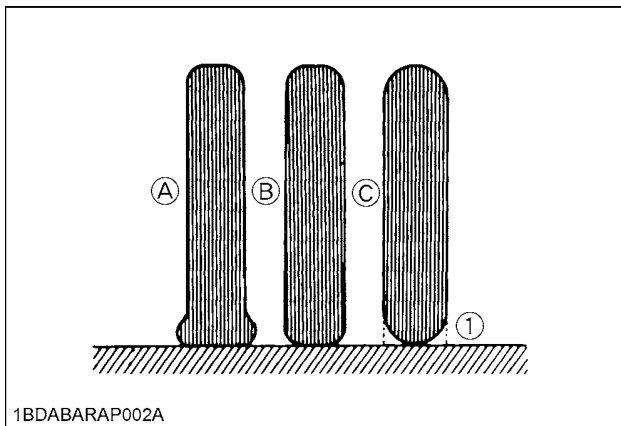
IMPORTANT :

- Do not use tires larger than specified.

■ Inflation Pressure

Though the inflation pressure is factory-set to the prescribed level, it naturally drops slowly in the course of time. Thus, check it and inflate as necessary.

	Tire sizes	Recommended Inflation Max. Pressure
Front	13 x 5.0 - 6, 4PR Rib	276 kPa (2.8 kgf/cm ² , 40 psi)
Rear	23 x 10.5 - 12, 4PR Turf	140 kPa (1.4 kgf/cm ² , 20 psi)



1BDABARAP002A

(1) Ground

(A) "INSUFFICIENT"
 (B) "NORMAL"
 (C) "EXCESSIVE"

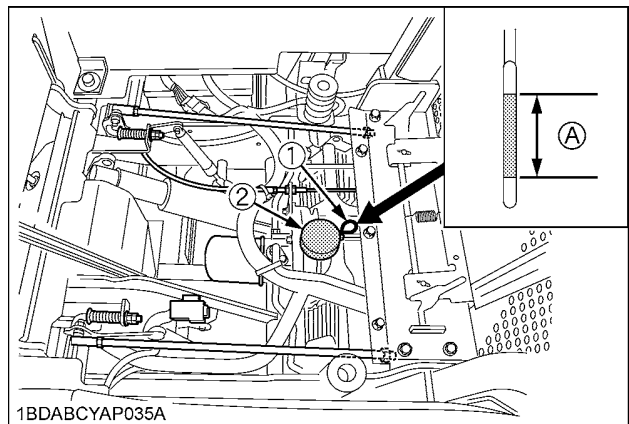
■ Checking Transmission Fluid Level

1. Park the machine on a flat surface, lower the implement to the ground and shut off the engine and remove the key.

Allow the machine to idle for 1-3 minutes, and then check fluid.

2. Raise and lock the operator's seat.
3. To check the oil level, draw out the dipstick, wipe it clean, replace it, and draw it out again. Check to see that the oil level lies between the two notches.

If the level is too low, add the new oil to the prescribed level at the oil inlet.
 (See "LUBRICANTS AND FUEL" in "MAINTENANCE" section.)



1BDABCYAP035A

(1) Oil level dipstick
 (2) Oil plug and breather cup

(A) Oil level is acceptable within this range.

IMPORTANT :

- If oil level is low, do not run engine.

■ **Checking Coolant Level**



To avoid personal injury:

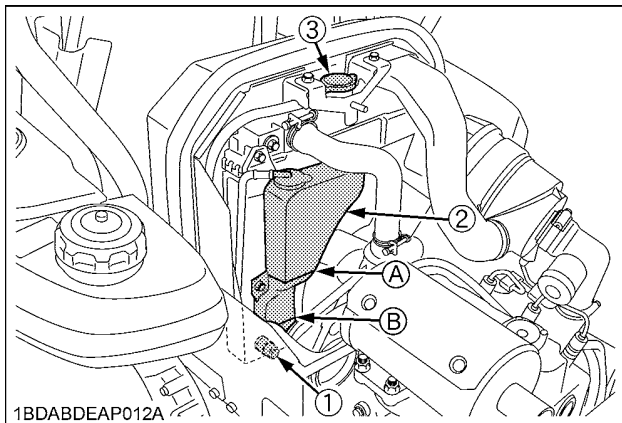
- Do not remove the radiator cap when the engine is hot. Then loosen cap slightly to the stop to relieve any excess pressure before removing cap completely.

Check the coolant level daily both the radiator and the recovery tank before starting engine.

1. Remove the radiator cap and check to see that the coolant level is just below the fill port.
2. Check to see that the coolant level is between the "FULL" and "LOW" marks of recovery tank.
3. When the coolant level drops due to evaporation, add water only up to just below the fill port of the radiator and the full level of the recovery tank.

In case of leakage, add anti-freeze and water in the specified mixing ratio up to the full level.

(See "Flushing Cooling System and Changing Coolant" in "EVERY 1 YEAR" in "PERIODIC SERVICE" section.)



- 1BDABDEAP012A
- | | |
|-------------------|------------|
| (1) Drain plug | (A) "FULL" |
| (2) Recovery tank | (B) "LOW" |
| (3) Radiator cap | |

IMPORTANT :

- If the radiator cap has to be removed, follow the caution above and securely retighten the cap.
- Use clean, distilled water and anti-freeze to fill the radiator and the recovery tank.
- If water should leak, consult your local KUBOTA Dealer.

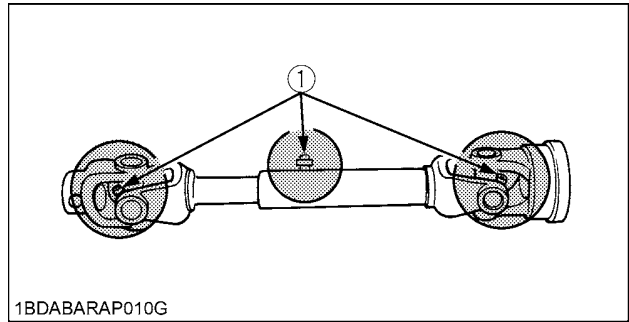
■ **Lubricating All Grease Fittings**



To avoid personal injury:

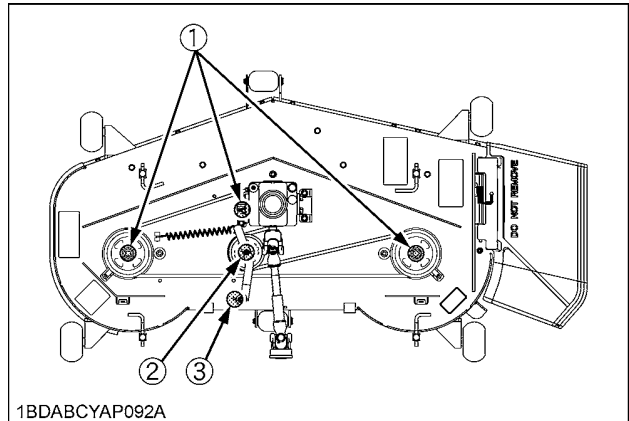
- Be sure to stop the engine and remove the key before greasing.

Grease the following location.



1BDABARAP010G

- (1) Mower universal joint



1BDABCYAP092A

- (1) Spindle shaft
 (2) Belt tension pulley
 (3) Belt tension pivot

EVERY 50 HOURS

■ Safety Devices

The Safety Devices in your machine are designed to protect you while operating. Please check these Safety Devices periodically - daily is best - to test function of the Safety Devices before operation.



CAUTION

To avoid personal injury:

- Do not allow anyone near the machine while testing.
- If the machine does not pass one of the following tests, do not operate the machine. See your local KUBOTA Dealer.
- Sit on operator's seat for all tests except for Test 1.

IMPORTANT :

- Check the following tests before operating the machine.

◆ Check the safety switches

Test 1 (OPERATOR NOT ON THE SEAT)

1. Securely set the parking brake.
2. Shift the PTO lever to "DISENGAGE" (OFF) position.
3. Set the motion control levers to the "NEUTRAL LOCK" position.
4. Turn the key switch to "START" position.
5. The engine must not crank.

Test 2 (OPERATOR ON THE SEAT)

1. Do not set the parking brake. (release it from test 1)
2. Shift the PTO lever to "DISENGAGE" (OFF) position.
3. Set the motion control levers to the "NEUTRAL LOCK" position.
4. Turn the key switch to "START" position.
5. The engine must not crank.

Test 3 (OPERATOR ON THE SEAT)

1. Securely set the parking brake.
2. Shift the PTO lever to "DISENGAGE" (OFF) position.
3. Grasp the motion control levers and move them inward from the "NEUTRAL LOCK" position to the "NEUTRAL" position and then release the levers.
4. Turn the key switch to "START" position.
5. The engine must not crank.

Test 4 (OPERATOR ON THE SEAT)

1. Securely set the parking brake.
2. Shift the PTO lever to "ENGAGE" (ON) position.
3. Grasp the motion control levers and move them inward from the "NEUTRAL LOCK" position to the "NEUTRAL" position and then release the levers.
4. Turn the key switch to "START" position.
5. The engine must not crank.

Test 5 (OPERATOR ON THE SEAT)

1. Start the engine.
2. Keep the parking brake securely set.
3. Shift the PTO lever to "DISENGAGE" (OFF) position.
4. Grasp the motion control levers and move them inward from "NEUTRAL LOCK" position to "NEUTRAL" position and then release the levers.
5. The engine must shut off after a short time delay.

IMPORTANT :

- For this test only, the engine will shut off in a few seconds.

Test 6 (OPERATOR ON THE SEAT)

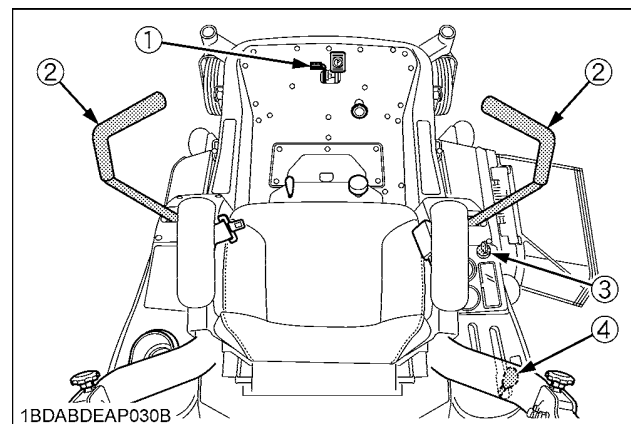
1. Start the engine.
2. Do not set the parking brake.
3. Shift the PTO lever to "DISENGAGE" (OFF) position.
4. Grasp the motion control levers and move them inward from "NEUTRAL LOCK" position to "NEUTRAL" position and then release the levers.
5. Stand up. (Do not get off the machine.)
6. The engine must shut off.

Test 7 (OPERATOR ON THE SEAT)

1. Start the engine.
2. Do not set the parking brake.
3. Shift the PTO lever to "ENGAGE" (ON) position.
4. Stand up. (Do not get off the machine.)
5. The engine must shut off.

NOTE :

- If the engine cranks Test 1 through 4, consult your local KUBOTA Dealer to have the unit checked before operation.



- (1) Parking brake lock pedal
- (2) Motion control lever
- (3) Key switch
- (4) PTO lever

■ Checking Gear Box Oil Level



CAUTION

To avoid personal injury:

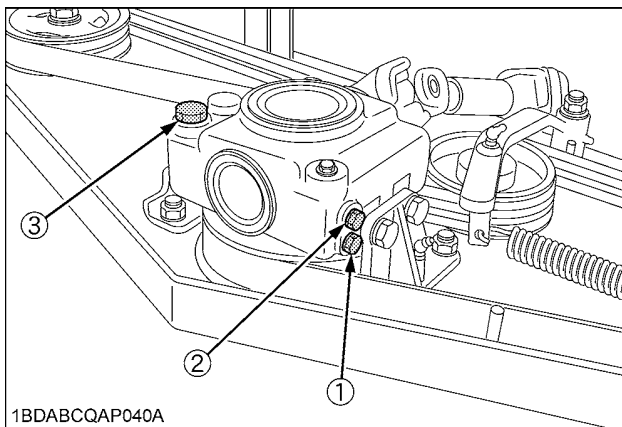
- Always stop the engine and remove the key before checking oil.

1. Park the machine on a flat surface and lower the mower to the ground.

To check the oil level, loosen check plug bolt and check to see that the oil level is just below the check plug port.

If the level is too low, add new oil to the prescribed level at the oil inlet.

(See "LUBRICANTS AND FUEL" in "MAINTENANCE" section.)



1BDABCQAP040A

- (1) Drain plug (Bolt)
- (2) Check plug (Bolt)
- (3) Oil filler plug

■ Lubricating Grease Fittings



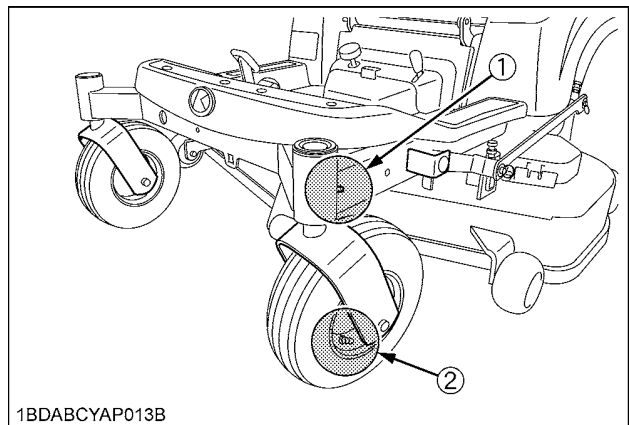
CAUTION

To avoid personal injury:

- Be sure to stop the engine and remove the key before greasing.

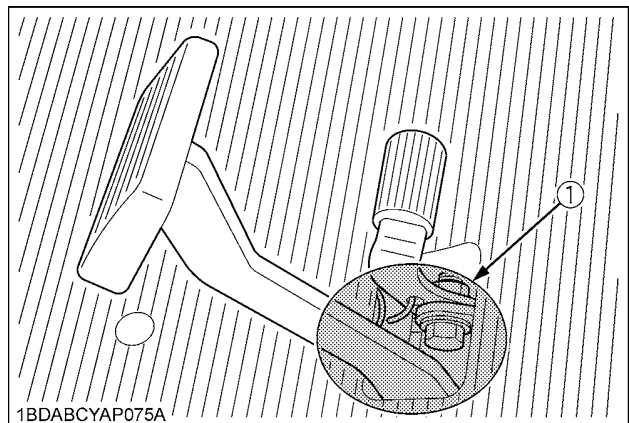
Apply a small amount of multipurpose grease to the following points every 50 hours:

If you operated the machine in extremely wet and muddy conditions, lubricate grease fittings more often.



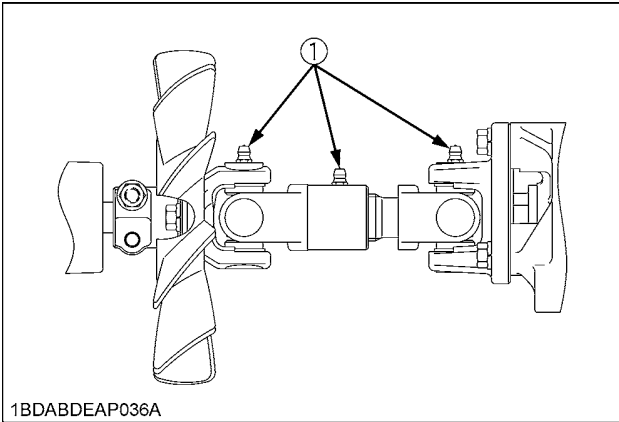
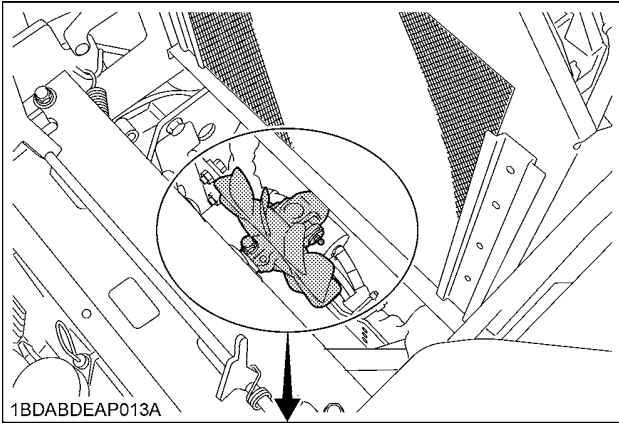
1BDABCYAP013B

- (1) Front axle (LH, RH)
- (2) Front wheel (LH, RH)

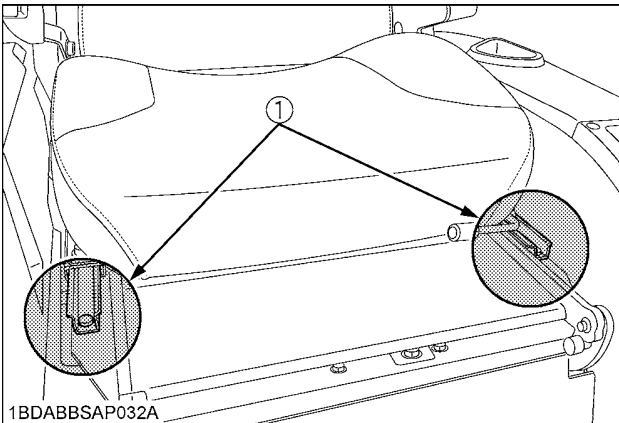


1BDABCYAP075A

- (1) Parking brake lock pedal

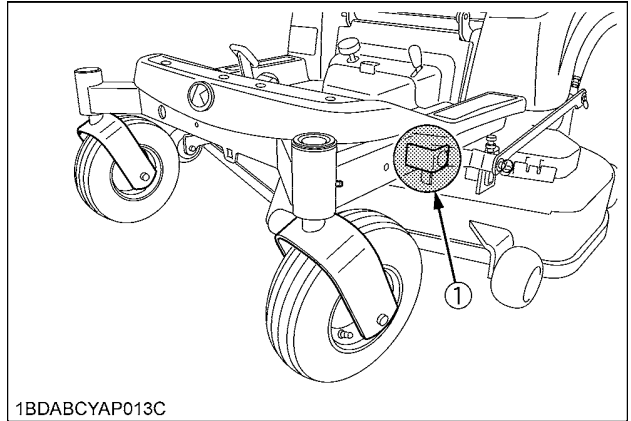


(1) Machine universal joint

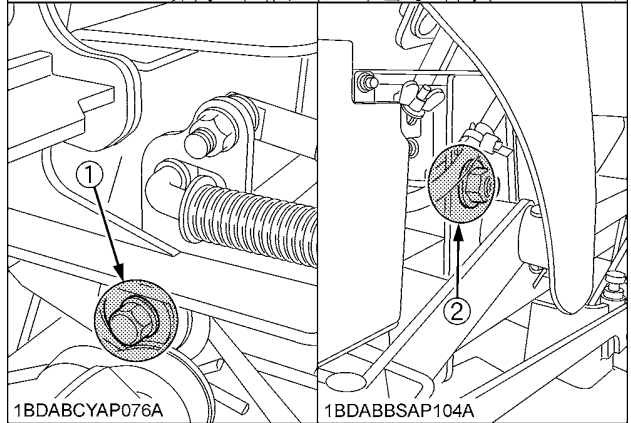
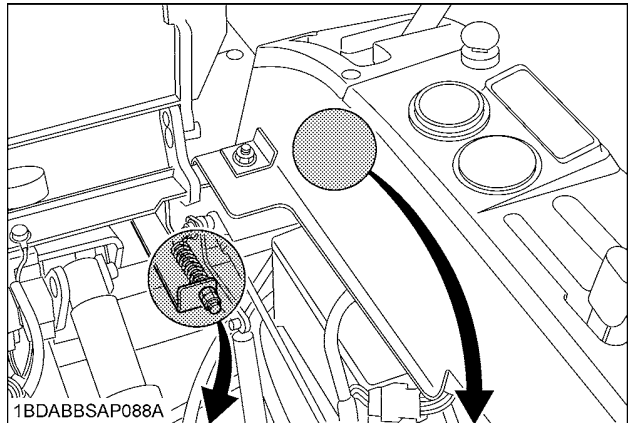


(1) Seat adjuster

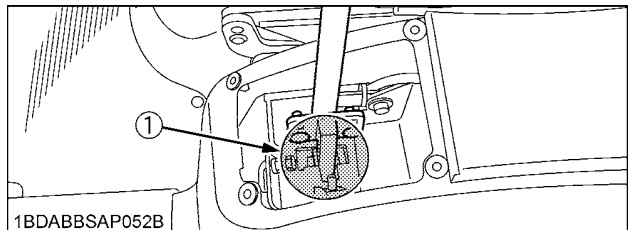
■ Oiling



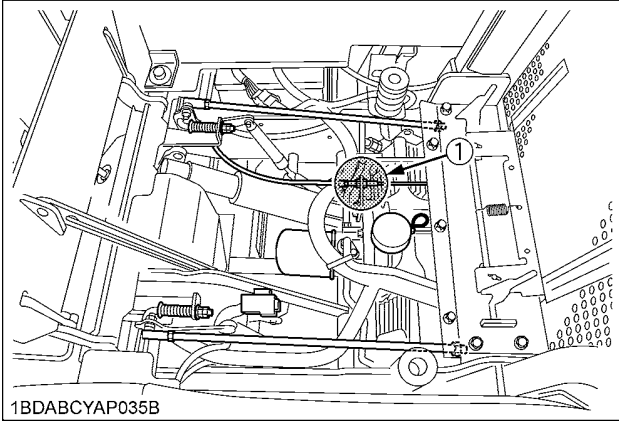
(1) Front lift arm (LH, RH)



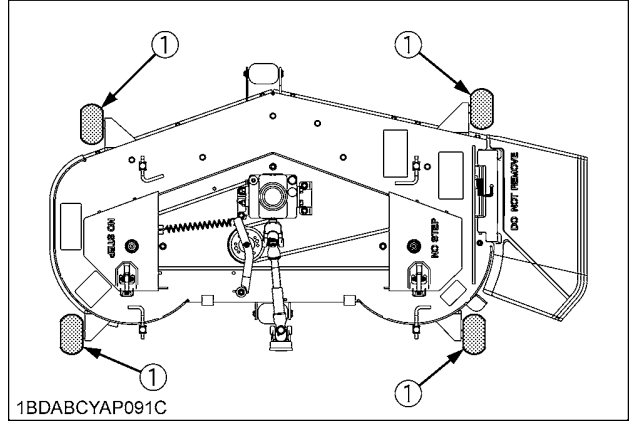
(1) Motion control lever pivot bushing (LH, RH)
(2) Bushing



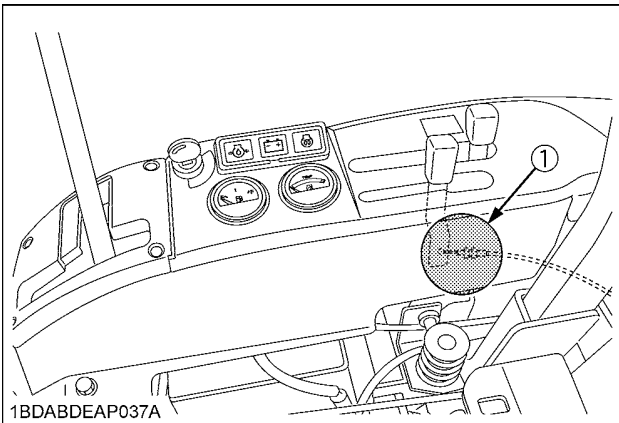
(1) Motion control lever contact position (LH, RH)



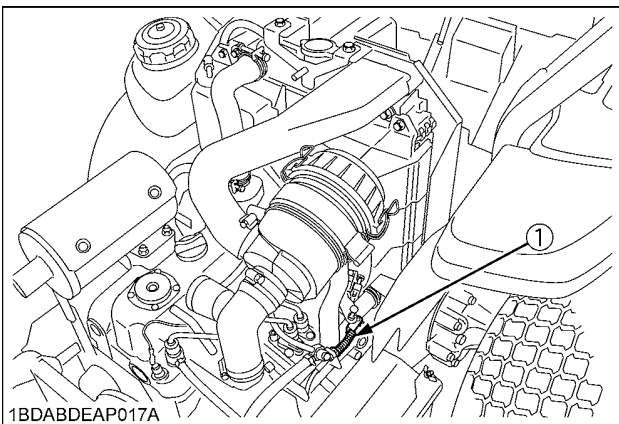
(1) Lift control cable (oil)



(1) Anti-scalp rollers



(1) Throttle cable (oil)



(1) Throttle cable (oil)

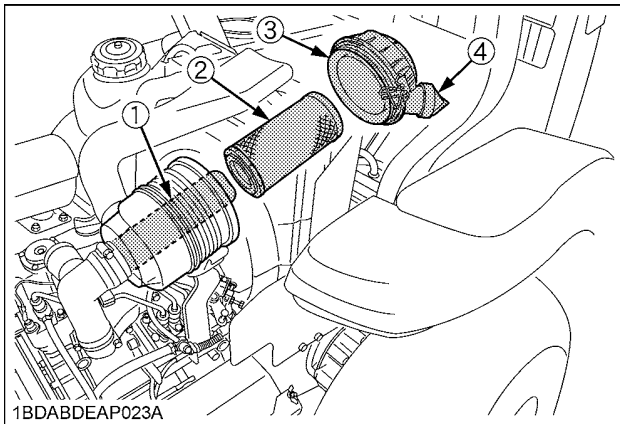
EVERY 100 HOURS

■ Cleaning Air Cleaner Primary Element

1. Remove the air cleaner cover and primary element.
2. Clean the primary element:
 - When dry dust adheres to the element, blow compressed air from the inside, turning the element. Pressure of compressed air must be under 205 kPa (2.1 kgf/cm², 30 psi).
3. Replace air cleaner primary element:
Once yearly or after every sixth cleaning, whichever comes first.

NOTE :

- Check to see if the evacuator valve is blocked with dust.



- (1) Secondary (safety) element
- (2) Primary element
- (3) Cover
- (4) Evacuator valve

IMPORTANT :

- The air cleaner uses a dry element, never apply oil.
- Do not run the engine with filter element removed.
- Operating in dusty conditions requires more frequent maintenance.
- Align the arrow marks when reinstalling the air cleaner cover.
- Do not touch the secondary element except in cases where replacing is required.
(See "Replacing Air Cleaner Primary Element and Secondary Element" in "EVERY 1 YEAR" in "PERIODIC SERVICE" section.)

◆ Evacuator Valve

Open the evacuator valve once a week under ordinary conditions - or daily when used in a dusty place - to get rid of large particles of dust and dirt.

■ Checking Fuel Lines and Fuel Filter



CAUTION

To avoid personal injury:

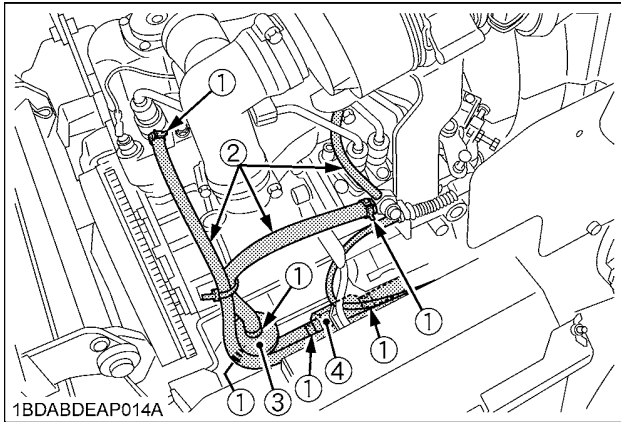
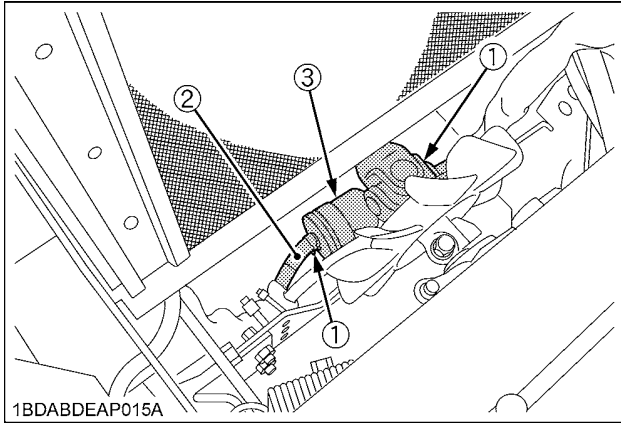
- Be sure to stop the engine and remove the key when attempting to make the following checks and changes.
- Never fail to check the fuel lines periodically. The fuel lines are subject to wear and aging. Fuel may leak out onto the running engine, causing a fire.

The fuel line connections should be checked annually or every 100 service hours, whichever comes first.

1. The fuel line is made of rubber and ages regardless of service period.
2. If the fuel line and clamps are found damaged or deteriorated, replace them.
3. Check fuel filter, if it is clogged by debris or contaminated with water, replace it.

IMPORTANT :

- When the fuel line is disconnected for maintenance or repair, close both ends of the fuel line with a piece of clean cloth or paper to prevent dust and dirt from entering. In addition, particular care must be taken not to admit dust and dirt into the fuel pump. Entrance of even a small amount dust or dirt cause premature wear and malfunction of the fuel pump and injector components.



- (1) Pipe clamps
- (2) Fuel line
- (3) Fuel filter
- (4) Fuel pump

■ Adjusting Fan Drive Belt Tension



CAUTION

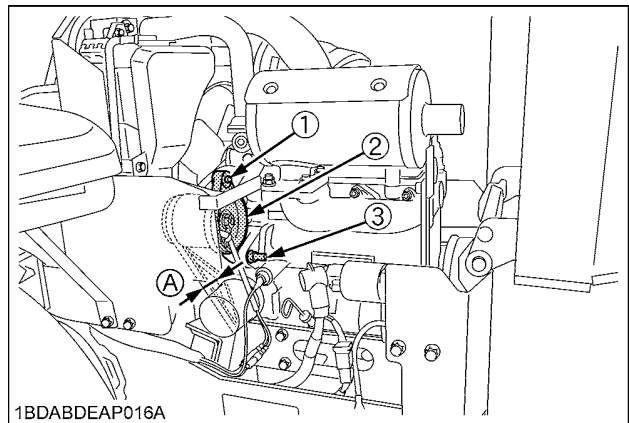
To avoid personal injury:

- Be sure to stop the engine and remove the key before checking belt tension.

If the fan drive belt becomes loose, the engine may overheat. To adjust, loosen bolts and move the dynamo outward to tighten the belt. After adjustment, securely tighten the bolts.

Moderate belt tension:

The belt should deflect approx. 10 mm (0.4 in.) when the center of the belt is depressed with finger pressure of 98N (10kgf, 22 lbs).



- (1) Tension bolt
 - (2) Dynamo
 - (3) Adjusting bolt
- (A) 10 mm (0.4 in.)

■ Adjusting Parking Brake



CAUTION

To avoid personal injury:

- Park the machine on a firm and level surface.
- Stop the engine and chock the wheels before checking or adjusting.

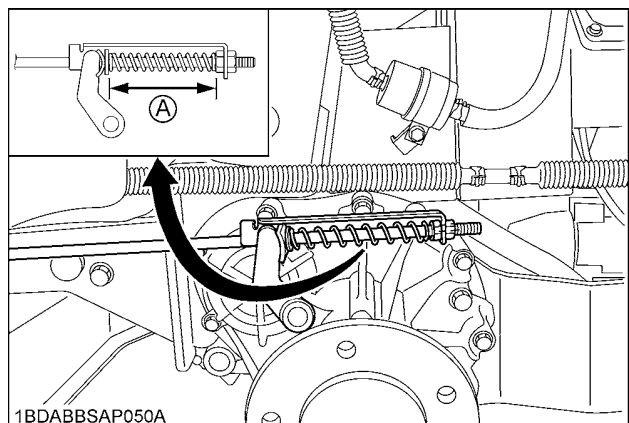
IMPORTANT :

- Wrong adjustment may cause machine damage.

(1) ◆ Check brake spring

1. Place the motion control levers to the "NEUTRAL LOCK" position.
2. Be sure to chock the rear wheels.
3. Apply the parking brake to the lock position.
4. Check the length of the brake springs on both sides.

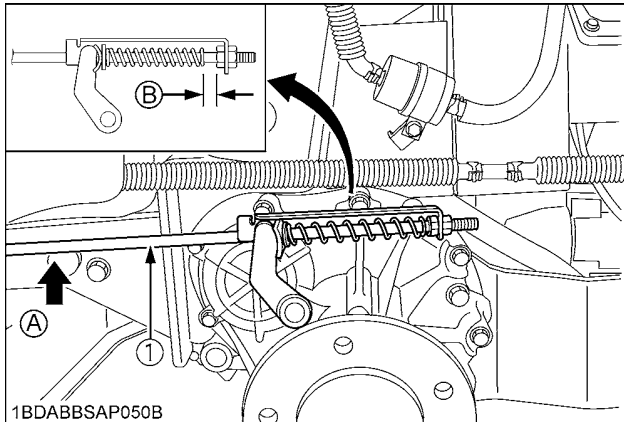
(A): Proper brake spring length with the brake applied to the lock position	115 to 117 mm (4.53 to 4.61 in.)
---	-------------------------------------



(A) "Parking brake spring length"

5. Release the parking brake completely.
6. Hold the brake rod lightly.
7. Check the brake spring play.

(B): Proper brake spring play	The spring must have play. Reference: 0.5 to 1.0 mm (0.02 to 0.04 in.)
-------------------------------	--



(1) Brake rod

(A) "Hold the brake rod"

(B) "Parking brake spring play"

8. If these dimensions are not correct, adjust them.

◆ Adjustment of brake spring play

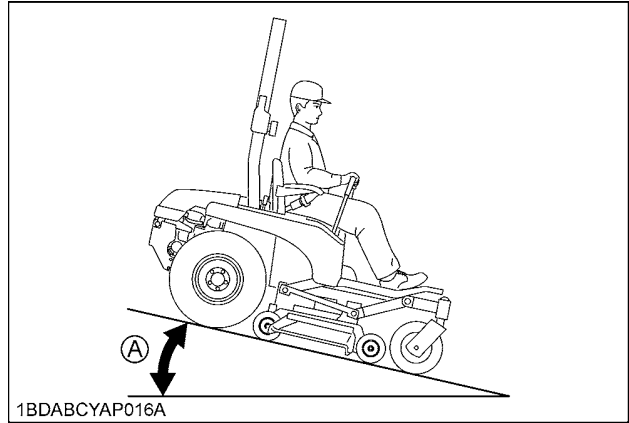
1. Place the motion control lever to the "NEUTRAL LOCK" position.
2. Be sure to chock the rear wheels.
3. Release the parking brake completely.
4. Loosen the lock nuts.
5. Hold the brake rod by hand.
6. Tighten the nut to the correct space between the end of the spring and the nut.
7. Lock the nuts.
8. Adjust the other side spring to the same dimension.

◆ Adjustment of brake length

1. Place the motion control lever to the "NEUTRAL LOCK" position.
2. Apply the parking brake to the lock position.
3. Loosen the lock nuts.
4. Adjust the spring length to the recommendation.
5. Lock the nuts.
6. Check the brake spring play to the recommendation. If there is no play, adjust the brake spring play again.
7. Adjust the other side spring to the same dimension.

(2) ◆ Check on the slope

1. Place the machine on a 17° ramp.
2. Apply the parking brake.
3. Place the motion control levers in "NEUTRAL LOCK" position and shut off the engine.
4. Check that the machine does not move.



(A) 17° ramp

NOTE :

- For parking brake test purposes, only use 17° ramp.

■ Battery Condition



DANGER

To avoid the possibility of battery explosion:

For the refillable type battery, follow the instructions below.

- Do not use or charge the refillable type battery if the fluid level is below the LOWER (lower limit level) mark. Otherwise, the battery component parts may prematurely deteriorate, which may shorten the battery's service life or cause an explosion. Check the fluid level regularly and add distilled water as required so that the fluid level is between the UPPER and LOWER levels.



CAUTION

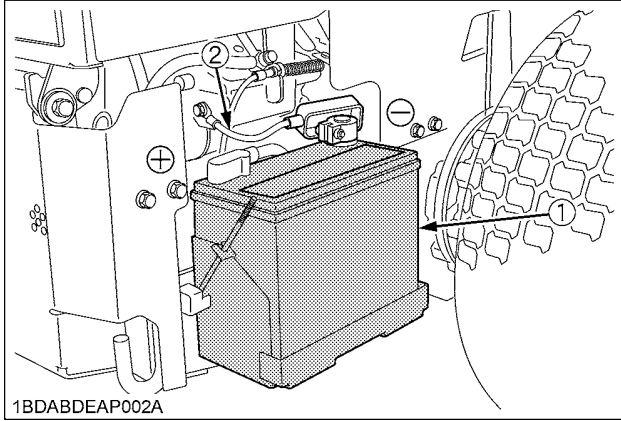
To avoid personal injury:

- Never remove the vent cap while the engine is running.
- Keep electrolyte away from eyes, hands and clothes. If you are splattered with it, wash it away completely with water immediately and get medical attention.
- Wear eye protection and rubber gloves when working around battery.

Mishandling the battery shortens the service life and adds to maintenance costs.

The original battery is a maintenance-free, non-accessible type battery.

If the battery is weak, the engine will be difficult to start and the lights will become dim. It is important to check the battery periodically.



1BDABDEAP002A

- (1) Battery (+): Positive terminal
- (2) Ground cable (-): Negative terminal

Battery Charging



DANGER

To avoid serious injury or death:

- When the battery is being activated, hydrogen and oxygen gases in the battery are extremely explosive. Keep open sparks and flames away from the battery at all times, especially when charging the battery.



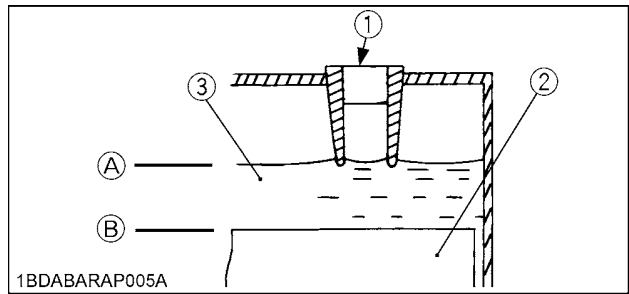
CAUTION

To avoid personal injury:

- When charging battery, ensure that the vent caps are securely in place (if equipped).
- When disconnecting the cables from the battery, start with the negative terminal first. When connecting the cables to the battery, start with the positive terminal first.
- Never check battery charge by placing a metal object across the posts. Use a voltmeter or hydrometer.

(For accessible maintainable type batteries with removable vent caps.)

1. Make sure each electrolyte level is at the bottom of vent wells, if necessary add distilled water in a well-ventilated area.



1BDABARAP005A

- (1) Vent well
- (2) Separator
- (3) Electrolyte
- (A) "HIGHEST LEVEL"
- (B) "LOWEST LEVEL"

2. The water in the electrolyte evaporates during recharging. Liquid shortage damages the battery. Excessive liquid spills over and damages the machine body.
3. To slow charge the battery, connect the battery positive terminal to the charger positive terminal and the negative to the negative, then recharge in the standard fashion.
4. A boost charge is only for emergencies. It will partially charge the battery at a higher rate and in a short time. When using a boost-charged battery, it is necessary to recharge the battery as soon as possible. Failure to do this will shorten the battery's service life.
5. When the specific gravity of electrolyte reaches 1.27-1.29 charge has completed.
6. When exchanging an old battery with new one, use a battery of equal specification shown in.

Battery type	Volts (V)	Reserve capacity (min)	Cold cranking Amps
51R	12	70	450

(For non-accessible maintenance-free type batteries.) Maintenance-free, non-accessible batteries are designed to eliminate the need to add water. Yet the volume of electrolyte above plates may eventually become depleted due to abnormal conditions such as high heat or improper regulator setting. Use a voltmeter to check the state of charge. (See reference chart below to determine if charging is necessary.)

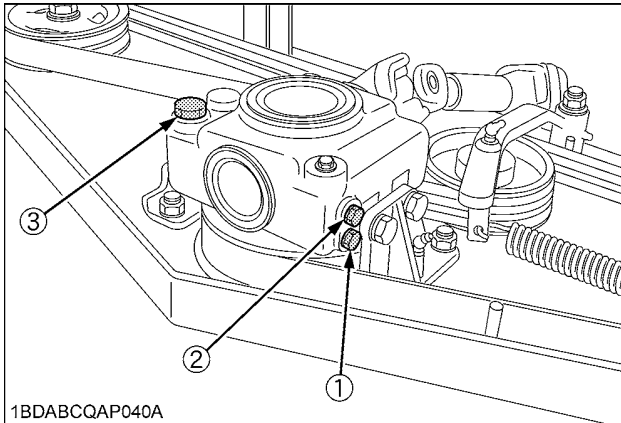
Battery voltage	Reference state of charge
12.6	100% (Full charge)
12.4	75%
12.2	50%
12.0	25%
11.8	0%

EVERY 150 HOURS**■ Changing Gear Box Oil****CAUTION**

To avoid personal injury:

- Be sure to stop the engine and remove the key before changing the oil.

1. To drain the used oil, remove the drain plug and filler plug at the gear box and drain the oil completely into the oil pan.
2. After draining reinstall the drain plug.
3. Remove the oil level check plug.
4. Fill with the new oil up to the check plug port. (See "LUBRICANTS AND FUEL" in "MAINTENANCE" section.)
5. After filling reinstall the check and filler plugs.



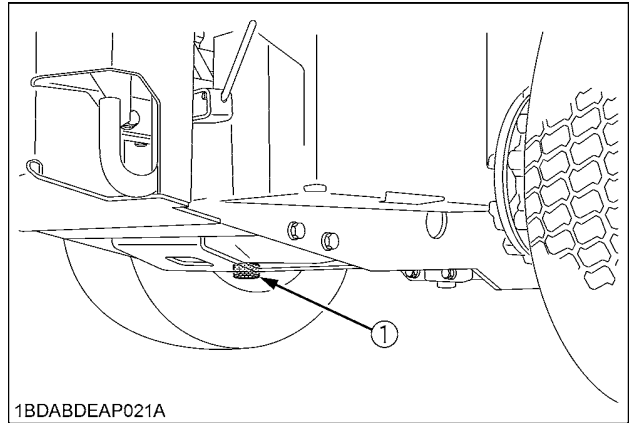
- (1) Drain plug (Bolt)
 (2) Check plug (Bolt)
 (3) Oil filler plug

EVERY 200 HOURS**■ Changing Engine Oil****CAUTION**

To avoid personal injury:

- Be sure to stop the engine and remove the key before changing the oil.
- Allow engine to cool down sufficiently; oil can be hot and may cause burns.

1. To change the used oil, remove the drain plug at the bottom of the engine and drain the oil completely. The used oil can be drained out more easily if the engine is warm.
2. Fill with the new oil up to the upper notch on the dipstick.



- (1) Drain plug

3. To check the oil level. Remove the dipstick, wipe it clean, insert it and draw it out again. Check to see that the oil level is between the two marks.

■ Replacing Engine Oil Filter

CAUTION

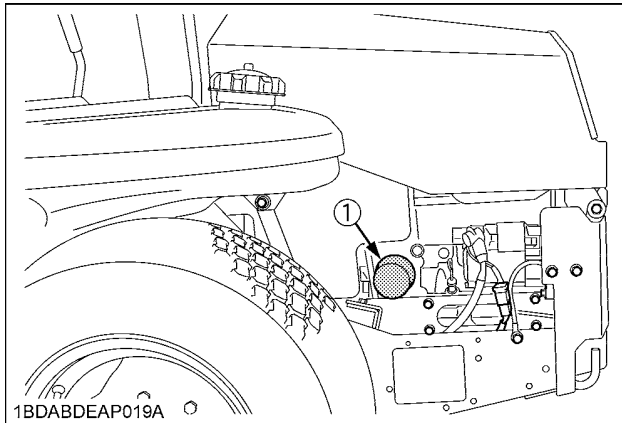
To avoid personal injury:

- Be sure to stop the engine and remove the key before changing the oil and the oil filter.
- Allow engine to cool down sufficiently; oil can be hot and may cause burns.

1. The oil filter must be changed every 200 service hours.
2. Apply a slight coat of oil onto the rubber gasket of new filter.
3. Tighten the filter quickly until it contacts the mounting surface. Tighten filter by hand an additional 1/2 turn only.
4. After the new filter has been replaced, the engine oil level normally lowers a little. Add engine oil to proper level. Check for oil leaks around filter gasket.

IMPORTANT :

- To prevent serious damage to the engine, replacement element of the recommended type must be used. Use only a genuine KUBOTA filter or its equivalent.

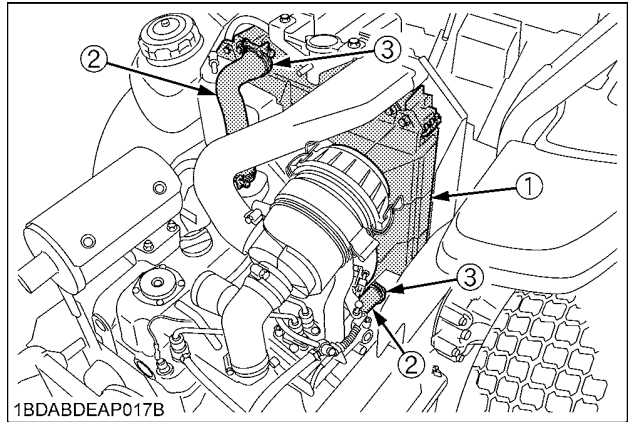


(1) Engine oil filter

■ Checking Radiator Hose and Clamp

Check to see if radiator hoses are properly fixed every 200 hours of operation or six months, whichever comes first.

1. If hose clamps are loose or water leaks, tighten clamps securely.
2. Replace hoses and tighten hose clamps securely, if radiator hoses are swollen, hardened or cracked.



(1) Radiator core
(2) Radiator hose
(3) Clamp

■ Checking Hydraulic Hose



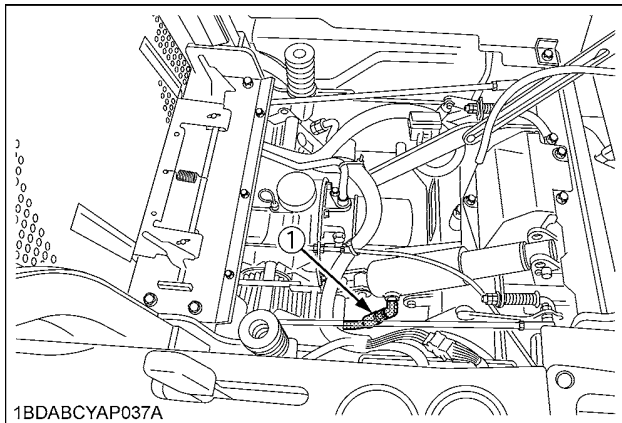
CAUTION

To avoid personal injury:

- Be sure to stop the engine and remove the key before checking and replacing the hydraulic hose.
- Allow the transmission case to cool down sufficiently; oil can be hot and may cause burns.

Check to see if hydraulic hoses are properly fixed every 200 hours of operation.

1. Check to see that all lines and hose clamps are tight and not damaged.
2. If hoses and clamps are found worn or damaged, replace or repair them at once.



1BDABCYAP037A

(1) Mower lift cylinder hose

■ Replacing Transmission Oil Filter [HST]

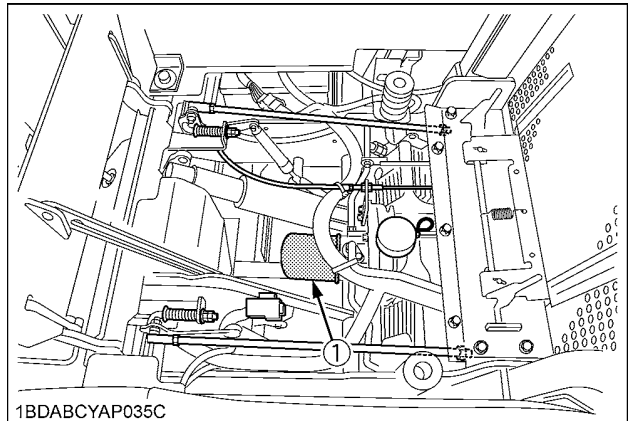


CAUTION

To avoid personal injury:

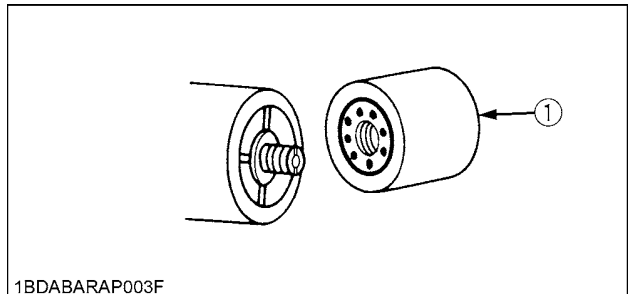
- Be sure to stop the engine and remove the key before changing the oil filter.
- Allow transmission case to cool down sufficiently; oil can be hot and may cause burns.

1. The oil filter must be changed every 200 service hours.



1BDABCYAP035C

(1) Transmission oil filter [HST]



1BDABARAP003F

(1) Transmission oil filter [HST]

2. Place an oil pan underneath the oil filter. (Do not drain oil.)
3. Remove the oil filter by using the filter wrench.
4. Apply a slight coat of oil onto the filter gasket.
5. Tighten the filter quickly until it contacts the mounting surface. Tighten filter by hand an additional 1/2 turn only.
6. After the new filter has been replaced, the transmission fluid level normally lowers a little. Add fluid to proper level. Check for oil leaks around filter gasket.

IMPORTANT :

- To prevent serious damage or premature failure to the hydraulic system, use only a KUBOTA genuine filter.

■ Adjusting the Motion Control Lever Pivot

CAUTION

To avoid personal injury:

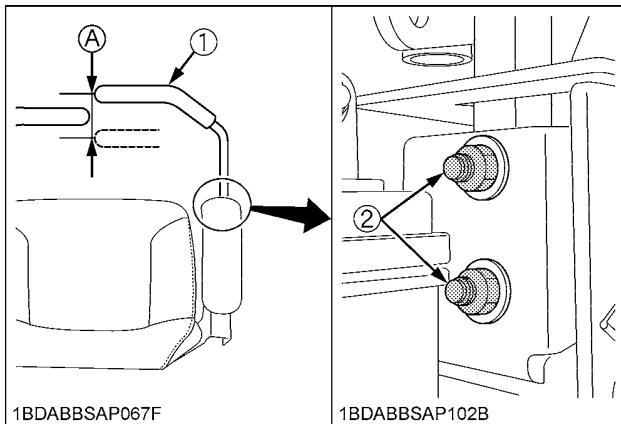
- Be sure to stop the engine and set the parking brake to "ON" before checking.

Proper lever free travel	2 to 15 mm (0.08 to 0.59 in.) on the lever
--------------------------	--

1. Set the motion control lever in "NEUTRAL" position.
2. Slightly move the lever back and forth and measure the free travel at the top of lever stroke.
3. If the proper free travel limits are exceeded, remove the fender and retighten the nut to specified torque.

NOTE :

- If the motion control lever pivot bolt is maladjusted, motion control may be difficult.

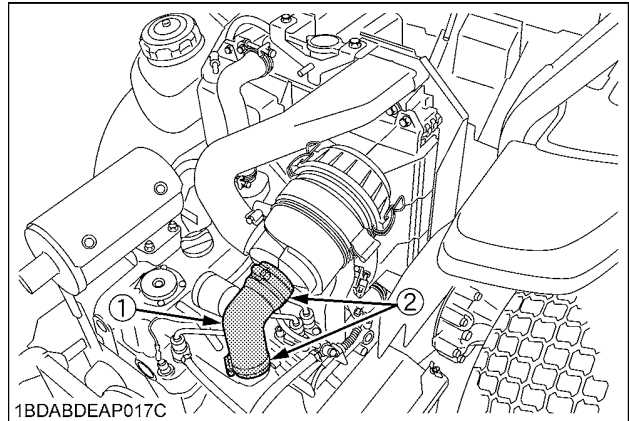


(1) Motion control lever (A) "FREE TRAVEL"
(2) Bolt, Nut

Tightening torque	18.6 to 20.6 N-m (1.9 to 2.1 kgf-m, 13.7 to 15.2 ft-lbs)
-------------------	--

■ Checking Intake Air Line

1. Check to see that hoses and hose clamps are tight and not damaged.
2. If hoses and clamps are found worn or damaged, replace or repair them at once.



(1) Hose
(2) Clamp

■ Cleaning Engine Shroud

Consult your local KUBOTA Dealer for this service.

EVERY 400 HOURS

■ Changing Transmission Fluid and Rear Axle Gear Case Oil (RH and LH)



CAUTION

To avoid personal injury:

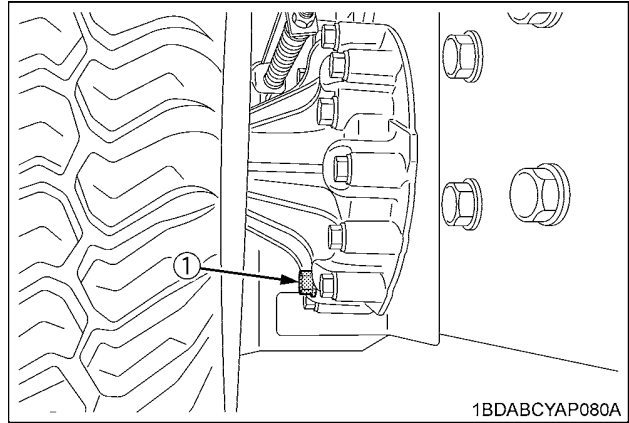
- Be sure to stop the engine and remove the key before changing or checking the oil.
- Allow transmission case to cool down sufficiently; oil can be hot and may cause burns.

The fluid in the transmission case is also used for the hydrostatic drive system.

1. To drain the transmission oil, place the oil pan underneath the transmission case and remove the drain plug at the bottom of the transmission case.
2. After draining, disassemble and clean the strainer and change the oil filter cartridge. After reassembling, fill with UDT or SUPER UDT hydrostatic transmission fluid, or its equivalent.
3. After running the engine for a few minutes, stop it and check the oil level again; add oil to the prescribed level.

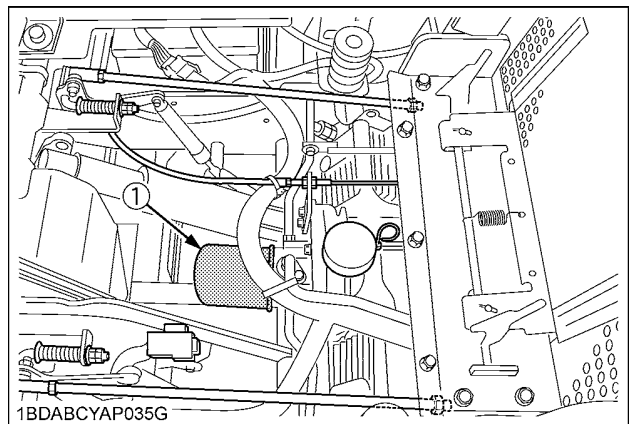
IMPORTANT :

- Operate only at low RPM's immediately after changing the transmission fluid and the filter cartridge. Keep the engine at medium speed for a few minutes to insure proper lubrication of all parts so there is no damage to the transmission.



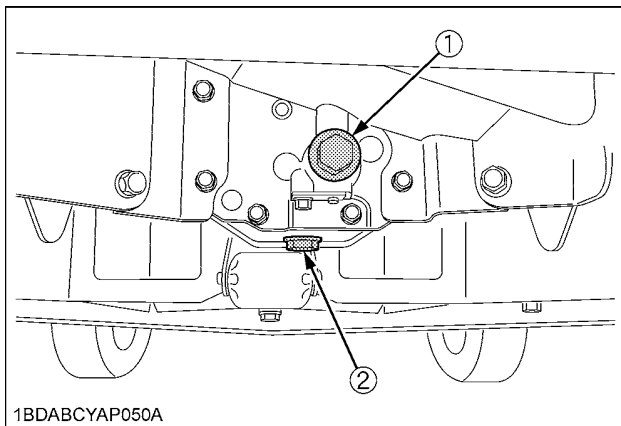
1BDABCYAP080A

(1) Drain plug of axle case



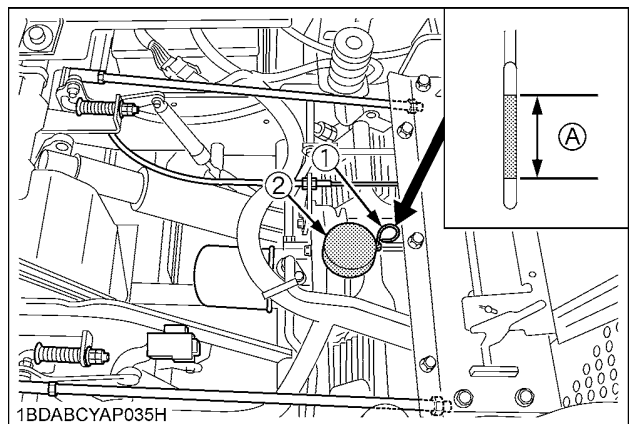
1BDABCYAP035G

(1) Transmission oil filter



1BDABCYAP050A

- (1) Transmission strainer
(2) Drain plug of center case



1BDABCYAP035H

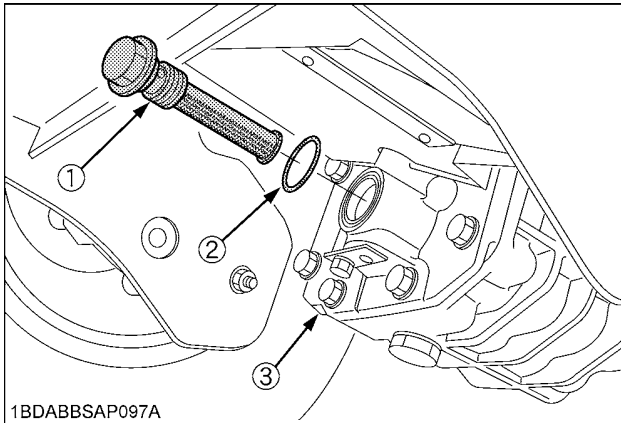
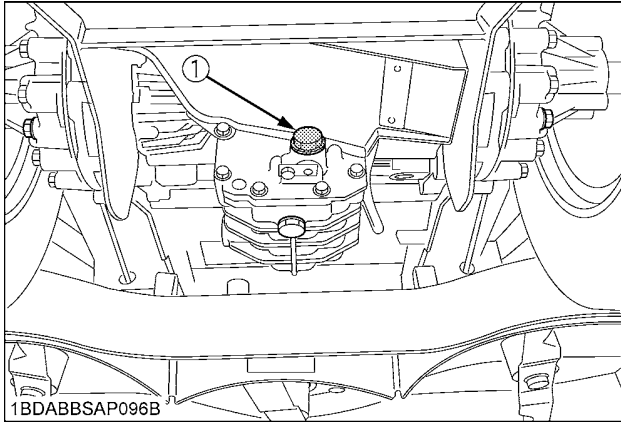
- (1) Oil level dipstick
(2) Oil plug and breather cup

(A) Oil level is acceptable within this range.

■ Cleaning Transmission Strainer

When changing the transmission fluid, disassemble and rinse the strainer with nonflammable solvent to completely clean off filings.

Check O-rings, replace if damaged, cracked or hardened. When reassembling be careful not to damage the parts.



- (1) Strainer
- (2) O-ring
- (3) Center case cover

NOTE :

- Since the fine filings in the oil can damage the precision component parts of the hydraulic system, the end of the suction line is provided with an oil strainer.

■ Replacing Fuel Filter

Consult your local KUBOTA Dealer for this service.

■ Anti-freeze

⚠ CAUTION

To avoid personal injury:

- When using anti-freeze, put on some protection such as rubber gloves (Anti-freeze contains poison.).
- If should drink anti-freeze, throw up at once and take medical attention.
- When anti-freeze comes in contact with the skin or clothing, wash it off immediately.
- Do not mix different types of Anti-freeze. The mixture can produce chemical reaction causing harmful substances.
- Anti-freeze is extremely flammable and explosive under certain conditions. Keep fire and children away from anti-freeze.
- When draining fluids from the engine, place some container underneath the engine body. If swallowed anti-freeze is harmful.
- Do not pour waste onto the grounds, down a drain, or into any water source.
- Also, observe the relevant environmental protection regulations when disposing of anti-freeze.

If it freezes, coolant can damage the cylinders and radiator. If the ambient temperature falls below 0 °C (32 °F) or before a long-term storage, let out cooling water completely, or mix fresh water with long-life coolant and fill the radiator and reserve tank with the mixture.

1. Long-life coolant (hereafter LLC) comes in several types. Use ethylene glycol (EG) type for this engine.
2. Before employing LLC-mixed cooling water, fill the radiator with fresh water and empty it again. Repeat this procedure 2 or 3 times to clean up the inside.
3. Mixing the LLC
Put the LLC in cooling water in the percentage (%) for a target temperature. When mixing, stir it up well, and then fill into the radiator.
4. The procedure for the mixing of water and anti-freeze differs according to the make of the anti-freeze and the ambient temperature. Refer to SAE J1034 standard, more specifically also to SAE J814c.

IMPORTANT :

- When the anti-freeze is mixed with water, the anti-freeze mixing ratio must be less than 50%.

Vol % Anti-freeze	Freezing Point		Boiling Point *	
	°C	°F	°C	°F
40	-24	-12	106	222
50	-37	-34	108	226

- * At 1.013×10^5 Pa (760mmHg) pressure (atmospheric). A higher boiling point is obtained by using a radiator pressure cap which permits the development of pressure within the cooling system.

5. Adding the LLC

- (1) Add only water if the mixture reduces in amount by evaporation.
- (2) If there is a mixture leak, add the LLC of the same manufacturer and type in the same mixture percentage.

*Never add any long-life coolant of different manufacturer. (Different brands may have different additive components, and the engine may fail to perform as specified.)

6. When the LLC is mixed, do not employ any radiator cleaning agent. The LLC contains anti-corrosive agent. If mixed with the cleaning agent, sludge may build up, adversely affecting the engine parts.
7. Kubota's genuine long-life coolant has a service life of 2 years. Be sure to change the coolant every 2 years.

NOTE :

- The above data represent industry standards that necessitate a minimum glycol content in the concentrated anti-freeze.
- When the coolant level drops due to evaporation, add water only to keep the anti-freeze mixing ratio less than 50%. In case of leakage, add anti-freeze and water in the specified mixing ratio before filling in to the radiator.

EVERY 1500 HOURS

■ Checking Fuel Injection Nozzle (Injection Pressure)

Consult your local KUBOTA Dealer for this service.

EVERY 3000 HOURS

■ Checking Injection Pump

Consult your local KUBOTA Dealer for this service.

EVERY 1 YEAR

■ Replacing Air Cleaner Primary Element and Secondary Element

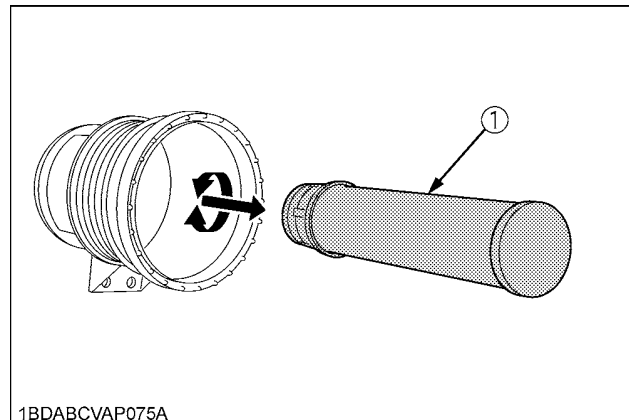
(See "Cleaning Air Cleaner Primary Element" in "EVERY 100 HOURS" in "PERIODIC SERVICE" section.)

IMPORTANT :

- To prevent serious damage to the engine, use only a KUBOTA genuine filter.

[How to remove the secondary element]

1. While turning slightly, pull out the secondary element.



(1) Secondary element

■ Flushing Cooling System and Changing Coolant



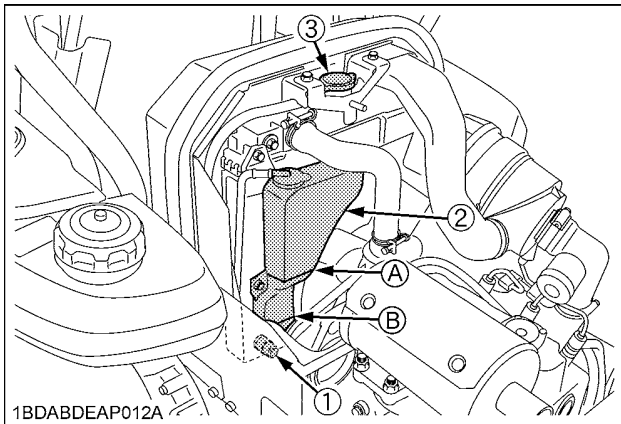
CAUTION

To avoid personal injury:

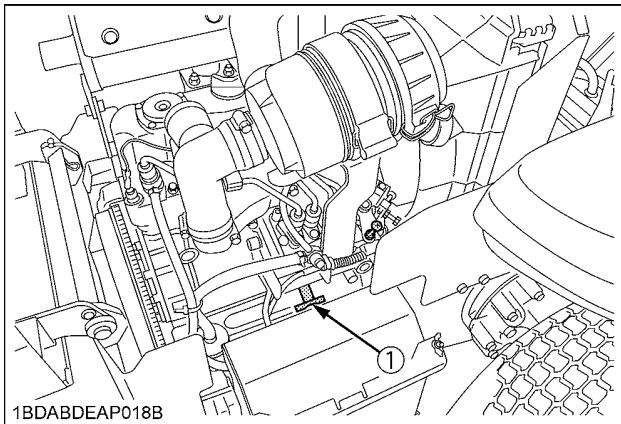
- Do not remove the radiator cap when the engine is hot. Then loosen cap slightly to the stop to relieve any excess pressure before removing cap completely.

1. Stop the engine and let cool down.
2. To drain the coolant, open the radiator drain cock and remove the radiator drain plug and remove radiator cap. The radiator cap must be removed to completely drain the coolant.

3. After all coolant is drained, close the drain cock and install the drain plug.
4. Fill with clean water and cooling system cleaner.
5. Follow directions of the cleaner instruction.
6. After flushing, fill with clean water and anti-freeze until the coolant level is just below the fill port on the radiator.
- Install the radiator cap securely.
7. Fill with coolant up to the "FULL" mark on the recovery tank.
8. Start and operate the engine for a few minutes.
9. Stop the engine and let cool.
10. Check coolant level of recovery tank, add coolant if necessary, and install the drain plug.



(1) Drain plug (A) "FULL"
 (2) Recovery tank (B) "LOW"
 (3) Radiator cap



(1) Drain cock

IMPORTANT :

- Do not start engine without coolant.
- Use clean, distilled water and anti-freeze to fill the radiator and recovery tank.
- When the anti-freeze is mixed with water, the anti-freeze mixing ratio must be less than 50%.
- Securely tighten radiator cap. If the cap is loose or improperly fitted, water may leak out and the engine could overheat.

EVERY 2 YEARS

■ **Replacing Hydraulic Hose**

Consult your local KUBOTA Dealer for this service.

■ **Replacing Fuel Lines**

Consult your local KUBOTA Dealer for this service.

■ **Replacing Radiator Hose**

See "Checking Radiator Hose and Clamp" in "EVERY 200 HOURS" in "PERIODIC SERVICE" section.

■ **Replacing Mower Gear Box Oil-Seal**

Consult your local KUBOTA Dealer for this service.

■ **Replacing Intake Air Line**

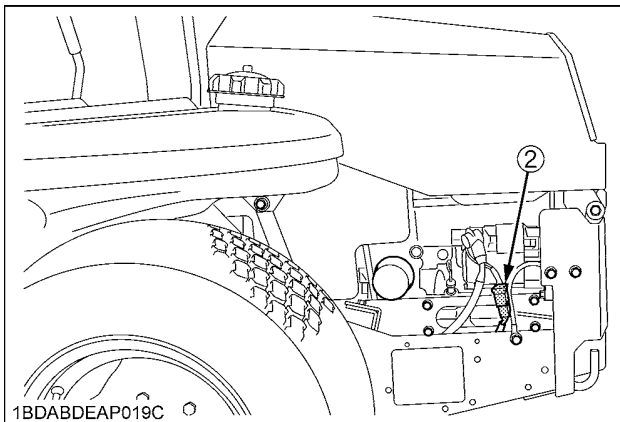
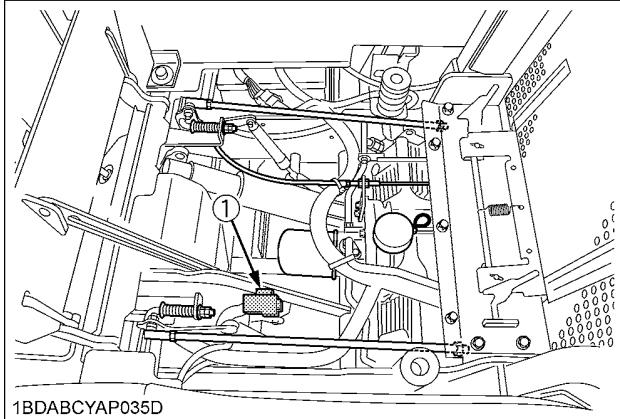
See "Checking Intake Air Line" in "EVERY 200 HOURS" in "PERIODIC SERVICE" section.

SERVICE AS REQUIRED

■ Replacing Fuses

Replacement of the fuse

1. Raise the operator's seat.
2. Remove the blown fuse.
3. Place a new fuse of the same capacity in position.



- (1) Fuse location
(2) Slow blow fuse

IMPORTANT :

- If the new fuse happens to blow out within a short time, contact your dealer for inspection and repair. Never "jump" the fuse with wire or foil, or install a larger capacity fuse than is recommended.

◆ Protected circuit

FUSE NO.	CAPACITY (A)	Protected circuit
(1)	20 A	Engine stop
	15 A	Charge system
	15 A	Main system
	15 A	Aux. outlet
	10 A	Control system
	(20 A)	*(Work light)
(2)	Slow blow fuse 50 A	Check circuit against wrong battery connection

*Option: The fuse should be in only when the work light is attached.

■ Checking and Replacing Blade

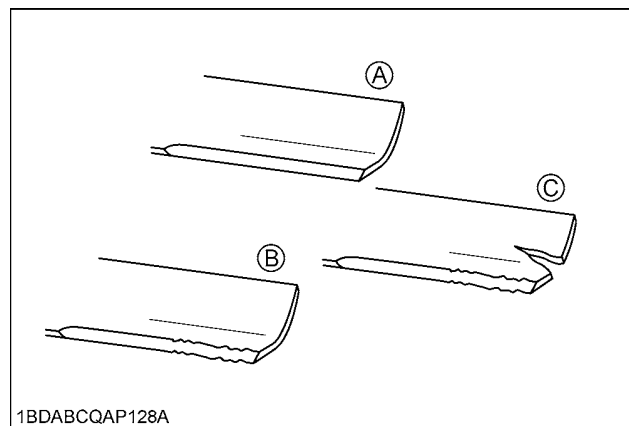
⚠ CAUTION

To avoid personal injury:

- Be sure to stop the engine and remove the key.
- Blades may be sharp. When you handle blades, wear heavy gloves or wrap end of blade with a rag.

◆ Checking

The blade cutting edges should be kept sharp at all times. Sharpen the cutting edges, if they resemble blade (B). Replace the blades if they appear similar to blade (C).



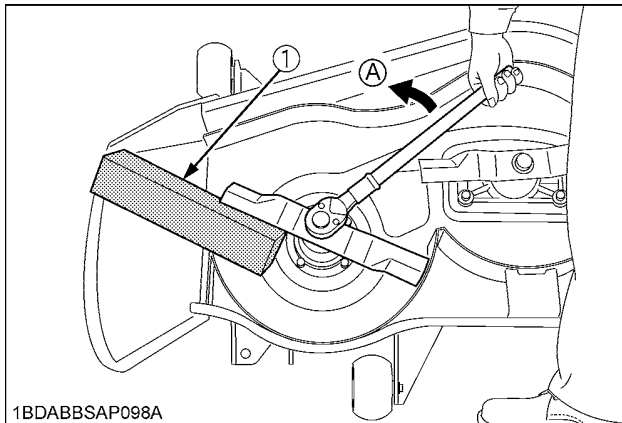
- (A) New blade
(B) Worn blade
(C) Cracked blade

◆ **Replacing**

1. Tilt up the mower deck.
(See "HOW TO TILT UP THE MACHINE" in "PERIODIC SERVICE" section.)
2. Wedge a block of wood between the blade and mower housing or use a box wrench over the pulley nut to prevent the spindle from rotating while removing the blade bolts; loosen the blade bolt as illustrated.

IMPORTANT :

- Use the proper metric size box or socket wrench to tighten or loosen the blade mounting bolt.



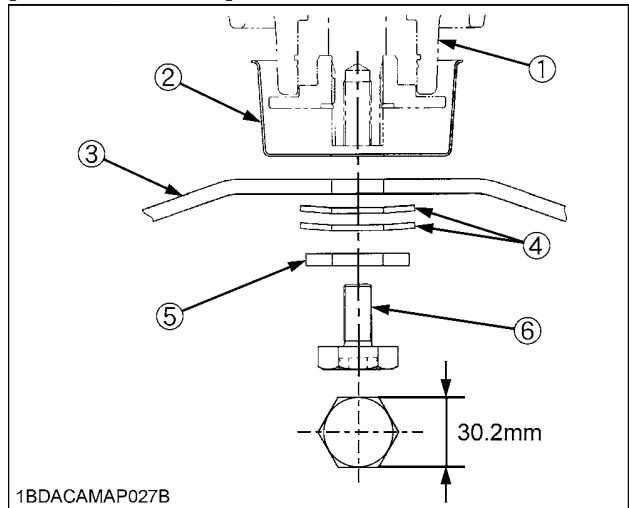
(1) Block (A) "LOOSEN"

3. To sharpen the blades yourself, clamp the blade securely in a vise.
Use a large mill file and file along the original bevel until sharp.
4. To check the blade for balance, place a small rod through the center hole. If the blade is not balanced, file the heavy side of the blade until balance is achieved.
5. Pass the spline boss through the blade and 2 cup washers, and tighten the bolt.

NOTE :

- Make sure that the cup washer is not flattened out or worn; this cause blade to slip excessively. Replace the 2 cup washers if either is damaged.
6. Before checking or replacing the blade, wipe grass and mud off the top and inside of the mower. Especially clean up the inside of the belt cover, because otherwise the belt life will be reduced.

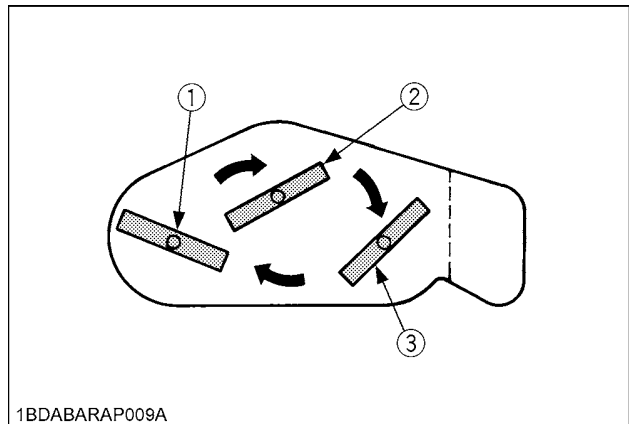
[RCK48P, RCK54P]



- (1) Spindle holder
- (2) Spindle guard
- (3) Blade
- (4) 2-Cup washer
- (5) Lock washer
- (6) Bolt

IMPORTANT :

- Tighten the bolts of the outer blades from 103 to 118 N-m (76 to 87 ft-lbs) of torque.
- The blade bolts have Right hand threads. Turn them counterclockwise to loosen.
- To prolong the service life of the blades, reposition them as shown in the figure below periodically.



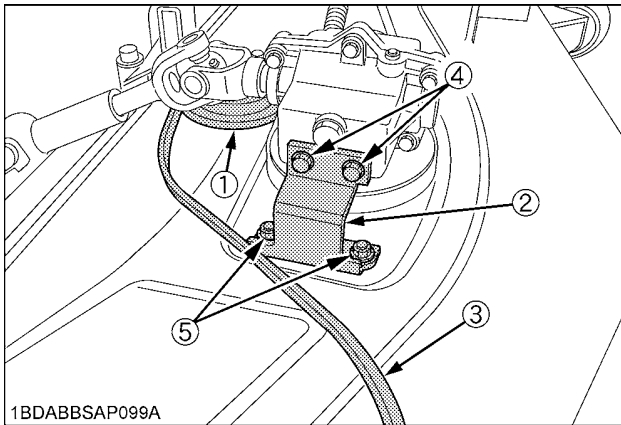
- (1) LH blade
- (2) Center blade
- (3) RH blade

■ Mower Belt Replacement

1. Remove the mower deck from the machine according to the procedure "DISMOUNTING THE MOWER DECK".
2. Remove the left and right hand shield from the mower deck.
3. Clean around the gear box.
4. Remove the belt from the tension pulley.
5. Remove the right hand bracket which mounts the gear box to the mower deck and slip the belt over the top of the gear box.
6. To install a new belt, reverse the above procedure.

NOTE :

- Tighten bracket bolts securely 77.6 to 90.2 N-m (8.0 to 9.2 kgf-m, 57.1 to 66.5 ft-lbs).



- (1) Tension pulley
 (2) Bracket (RH)
 (3) Belt
 (4) Bolt
 (5) Nut

■ Bleeding Fuel System

Air must be removed:

1. When the fuel filter or lines are removed.
2. When tank is completely empty.
3. After the machine has not been used for a long period of time.

◆ Bleeding procedure is as follows:

1. Fill the fuel tank with fuel.
2. Start the engine and run for about 30 seconds, and then stop the engine.

ADJUSTMENT

MOTION CONTROL LEVER



CAUTION

To avoid personal injury:

- Park the machine on a firm and level surface.
- If it is necessary to run the engine in an enclosed area, use a gas tight exhaust pipe extension to remove the fumes.
- Always try to work in a well-ventilated area.
- Lift up and secure with jack stands or blocking the rear of the machine, do not run the machine while adjusting.

Remove rear wheels.

- Do not adjust only one of the following adjustments; exclude "MOTION CONTROL LEVER POSITION". They are interlinked.

IMPORTANT :

- Right and left motion control levers can be adjusted independently.
- This machine has a creep speed.

■ HST NEUTRAL

1. Lift-up and secure with jack stands or blocking the rear of the machine frame.
2. Remove both rear wheels.
3. Remove the lever guide.
4. Place the motion control lever in "NEUTRAL LOCK" position.
5. Check that the lever is touching the front side of its guide plate.
If the lever is not in the correct position, adjust the speed control spring.
See "CREEP SPEED".
6. Remove the set knobs of seat frame, then raise and latch the seat assembly.
7. Remove the connector from the seat safety switch, and then **temporarily** install a jumper wire across the terminals in the connector of the wiring harness.



CAUTION

To avoid personal injury:

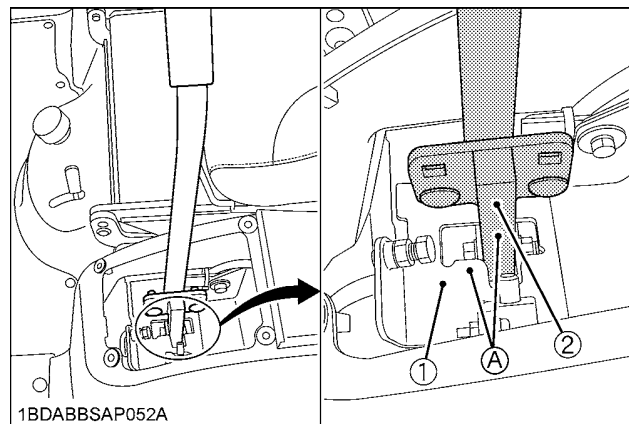
- Do not operate the machine with a jumper wire.
- If you feel you are unable to make the following adjustments correctly and safely, please contact your local KUBOTA Dealer.

8. Remove the beam plate and the panel screen.
9. Loosen the lock nut of the motion control rod.
Adjust the motion control rod until axle rotation stops.

10. Lengthen the rod by 1/2 turn and then tighten the lock nut.

Place the motion control lever to the reverse position, and move them to the forward slowly.

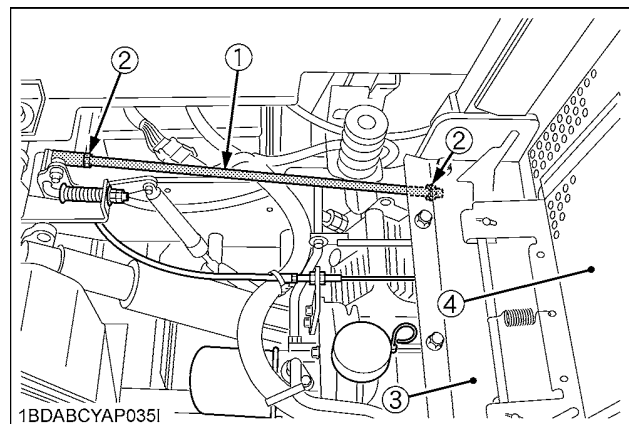
11. Place the lever in "NEUTRAL LOCK" position, and check that the rear axle does not rotate.
If the axle does not stop rotating, adjust the "HST NEUTRAL" again.
12. After adjustment, make sure to stop the engine immediately.
13. Adjust the other side "HST NEUTRAL" equally.
14. Attach the beam plate and the panel screen.



1BDABBSAP052A

- (1) Guide plate
(2) Motion control lever

- (A) The lever is in contact with plate.

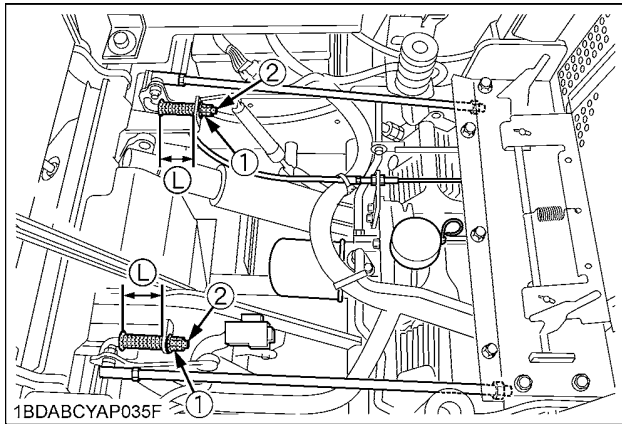


1BDABCYAP035I

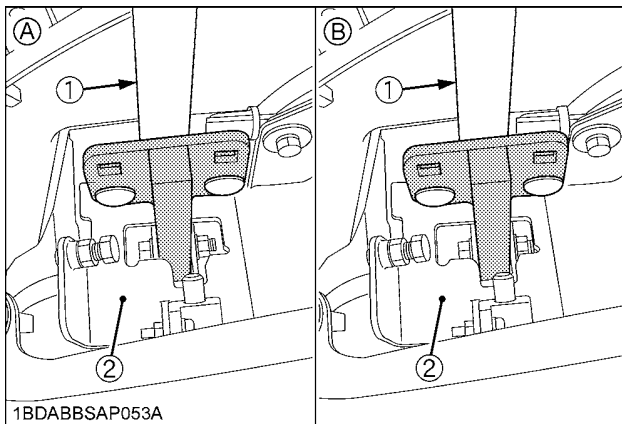
- (1) Motion control rod
(2) Lock nut
(3) Beam plate
(4) Panel screen

■ CREEP SPEED

1. Lift-up and secure with jack stands or blocking the rear of the machine frame.
2. Remove both rear wheels.
3. Start the engine, and run at maximum speed.
4. Place the lever in "NEUTRAL" position.
5. Pull the lever to the reverse maximum position and release the lever.
6. Measure the axle rotation.
7. Loosen the lock nut and adjust the creep speed control bolt length so that the axle rotation is between 8 to 10 revolutions per minute. (Do not change spring length L=55 to 56 mm (2.17 to 2.2 in.))
8. Lock the nut.
9. Check the axle creep rpm again.
If it is not correct, adjust again.
10. Adjust the other side "CREEP SPEED" equally.
11. After adjustment, make sure to stop the engine immediately.



(1) Lock nut (L) 55 to 56 mm (2.17 to 2.2 in.)
(2) Creep speed control bolt



(1) Motion control lever (A) "CREEP" position (hands off)
(2) Guide plate (B) "NEUTRAL" position (held by hands)

■ MAXIMUM SPEED (FORWARD)

Consult your local KUBOTA Dealer for this service.

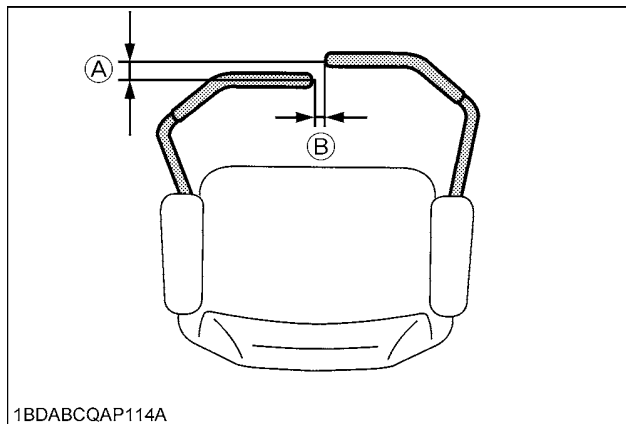
■ MOTION CONTROL LEVER ALIGNMENT

◆ Check the alignment

Check the gap and space between the levers, at the maximum forward position.

Recommendation	Gap: 0 to 2 mm (0 to 0.08 in.) Space: 10 to 20 mm (0.4 to 0.8 in.)
----------------	---

If positions of the control levers are unequal, an adjustment is necessary.



(A) "GAP"
(B) "SPACE"



CAUTION

To avoid personal injury;

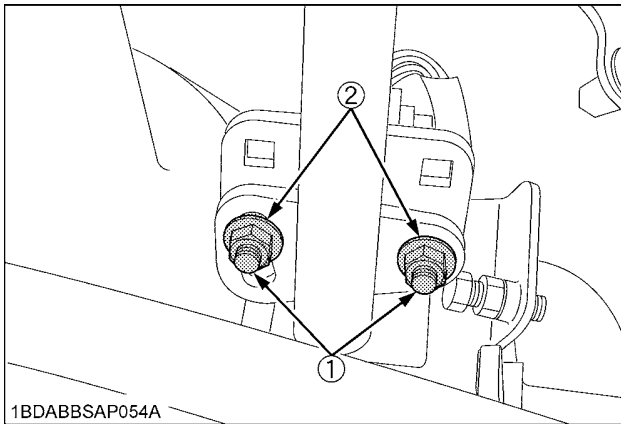
- Park the machine on a firm and level surface.
- Stop the engine, remove the key and apply the parking brake.

◆ Aligning the control levers

1. Stop the engine and apply the parking brake.
2. Loosen the nut and remove the lever guide.

Lever position (High or Low)

3. Remove the bolts and select the motion control lever position, high or low.
4. Tighten the bolt and install the lever guide.



- (1) Bolt
(2) Bolts nut

Lever alignment (Right and Left)

5. Loosen the bolts.
6. Slide both levers forward or rearward to the desired position within tab slots until levers are aligned.
7. Tighten the bolts.

NOTE :

- If the ends of the levers strike against each other while in "NEUTRAL" position, move the levers outward to the "NEUTRAL LOCK" position and carefully bend them outward. Move them back to the "NEUTRAL" position and check for the recommended space.

MOWER DECK LEVEL

■ ANTI-SCALP ROLLERS



CAUTION

To avoid personal injury;

- Park the machine on a firm and level surface.
- Apply the parking brake.
- Stop the engine and remove the key.
- Wait for all moving parts to stop.

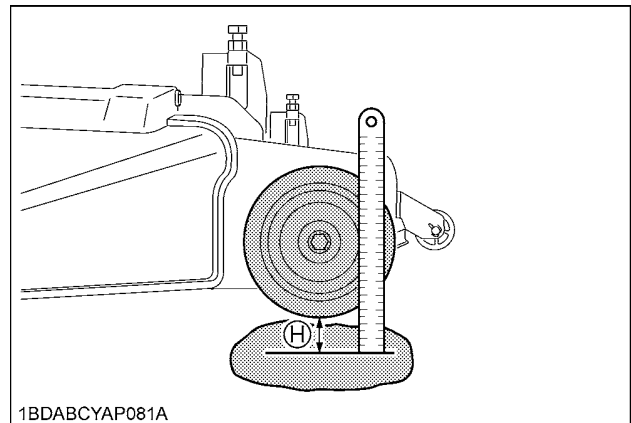
IMPORTANT :

- The flattest cut can be achieved by having the anti-scalp rollers adjusted off the ground. Check anti-scalp roller adjustments each time the mower deck cutting height is changed. It is recommended that all the anti-scalp rollers be kept off the ground to minimize scuffing.

1. Check the machine tire pressure. Inflate tires to the correct pressure. (See "TIRES AND WHEELS" section.)
2. Start the engine.
3. Raise up the mower deck to the transport position. (Also the top end of the lift.)
4. Turn the cutting height control dial to adjust height.
5. Lower the mower deck.

Front side anti-scalp roller

6. Adjust the height of the front side anti-scalp roller to one of three positions to approximately 19 mm (3/4 in.) between rollers and the ground. Adjust both side rollers to the same height.

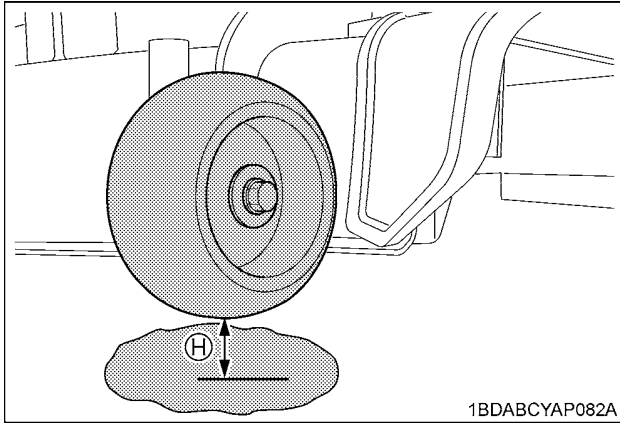


(H) 19 mm (3/4 in.)

7. Install the roller with attaching hardware.

Rear side anti-scalp roller

8. Adjust the height of the rear side anti-scalp roller to one of three positions to approximately 19 mm (3/4 in.) between rollers and the ground. Adjust both side rollers to the same height.



(H) 19 mm (3/4 in.)

9. Install the roller with attaching hardware.

LEVEL MOWER DECK (Side-to-Side)**CAUTION**

To avoid personal injury:

- Park the machine on a firm and level surface.
- Apply the parking brake.
- Disengage PTO (OFF).
- Stop the engine, remove the key and remove the mower u-joint while checking or adjusting the level of the mower deck.

IMPORTANT :

- Check the machine tire pressure. Inflate tires to the correct pressure. (See "TIRES AND WHEELS" section.)

◆ Checking level (Side-to-Side)**NOTE :**

- Mower deck anti-scalp rollers should not contact the ground.

1. Raise the mower deck to the transport position. (Also the top end).
2. Turn the cutting height set dial to the 3 in. cutting height position.
3. Lower the mower deck.
4. Position the right mower blade in the Side-to-Side position.
5. Measure from outside blade tip to the level surface with a short ruler or leveling gauge.

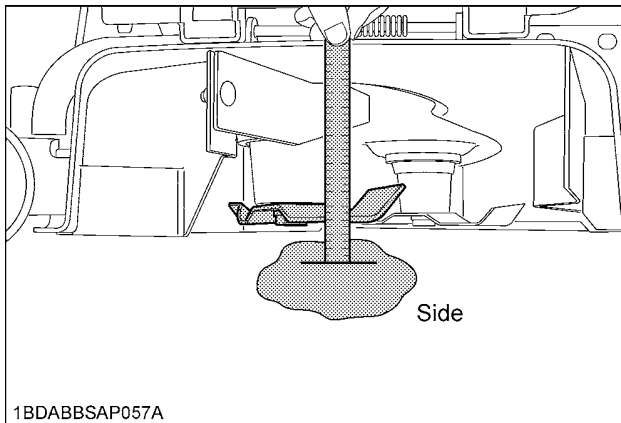
Reference

Height of the blade at the concrete surface	76 mm (3 in.)
---	---------------

NOTE :

- There is a difference of the blade height between on the concrete and ground.
6. Check that the left side blade is same height. The difference between both measurements should be less than 3 mm (1/8 in.).
 7. If the Side-to-Side adjustment is not within the given tolerance, adjustment necessary.

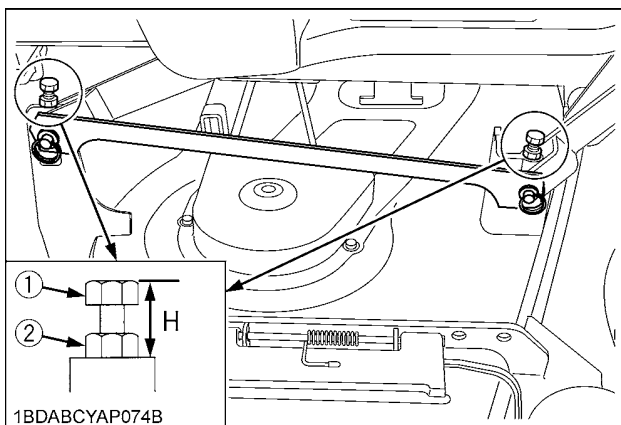
Side-to-Side adjustment	Less than 3 mm (1/8 in.)
-------------------------	--------------------------



1BDABBSAP057A

◆ Adjusting level (Side-to-Side)

1. Raise up the mower deck to the transport position. (Also the top end).
2. Turn the cutting height set dial to the 3 in. cutting height position.
3. Place 51 mm (2 in.) height wood blocks under each side of the mower deck.
Anti-scalp rollers must not rest on the wood block.
4. Lower the mower deck.
5. Position mower blade in the Side-to-Side position.
6. Loosen the lock nuts of the right side of the machine.
7. Adjust the cutting height fine tuning bolts to set 76 mm (3 in.) height.
Front and rear side bolts must be adjusted.
8. Lock the nuts.
9. Adjust the left side equally.
10. Check the side-to-side level and if it is not level, adjustment necessary.



1BDABCYAP074B

- (1) Cutting height fine tuning bolt
(2) Lock nut

■ LEVEL MOWER DECK (Front-to-Rear)



CAUTION

To avoid personal injury:

- Park the machine on a firm and level surface.
- Engage the parking brake.
- Disengage PTO.
- Stop the engine, remove the key and remove the mower u-joint while checking or adjusting the level of the mower deck.

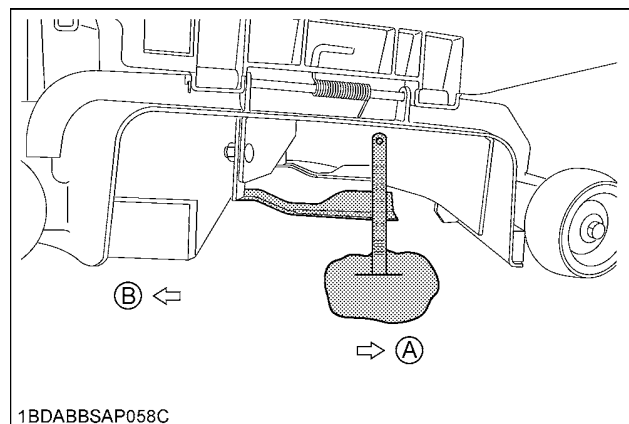
IMPORTANT :

- Check the machine tire pressure. Inflate tires to the correct pressure. (See "TIRES AND WHEELS" section.)

◆ Checking level (Front-to-Rear)

NOTE :

- Mower deck anti-scalp rollers should not contact the ground.
1. Raise the mower deck to the transport position. (Also the top end).
 2. Turn the cutting height set dial to the 3 in. cutting height position.
 3. Lower the mower deck.
 4. Position the right mower blade in the Front-to-Rear position.
 5. Measure from the right front blade tip to the level surface with a short ruler or leveling gauge.
 6. Turn the blade 180° and measure from right rear blade tip to the level surface.
 7. Check that the left side blade has the same dimension. The difference between both measurements should be less than 6 mm (1/4 in.).
Front side must be lower than rear side.
 8. If the Front-to-Rear adjustment is not within the given tolerance, adjustment is necessary.



1BDABBSAP058C

- (A) Front
(B) Rear

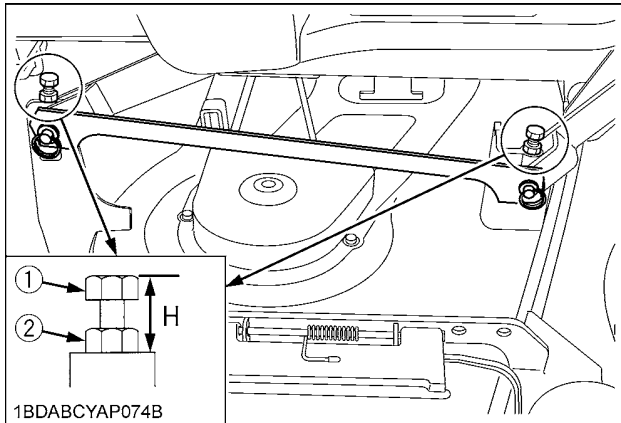
Front-to-Rear adjustment	Less than 6 mm (1/4 in.) Front side must be lower than Rear side.
--------------------------	--

◆ **Adjusting level (Front-to-Rear)**

1. Raise up the mower deck to the transport position. (Also the top end).
2. Turn the cutting height set dial to the 3 in. cutting height position.
3. Place 51 mm (2 in.) height wood blocks under each side of the mower deck.
Anti-scalp rollers must not rest on the wood block.
4. Lower the mower deck.
5. Loosen the lock nuts of the front side of the machine.
6. Adjust the cutting height fine tuning bolts to set 76 mm (3 in.) height.
Both front side bolts must be adjusted.
7. Lock the nuts.
8. Adjust the other side equally.





IMPORTANT :

- The difference between both measurements should be less than 6 mm (1/4 in.).
Front side must be lower than rear side.
9. Check the front-to-rear level and if it is not level, adjustment necessary.



- (1) Cutting height fine tuning bolt
(2) Lock nut

GENERAL TORQUE SPECIFICATION

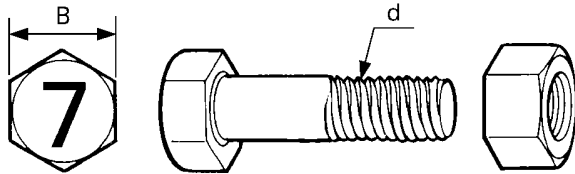
American standard cap screws with UNC or UNF threads			Metric cap screws		
SAE grade No.	GR.5 	GR.8 	Property class	Class 8.8 	Class 10.9 
1/4	(ft-lbs) 8 - 9.6 (N-m) 10.7 - 12.9 (kgf-m) 1.11 - 1.33	(ft-lbs) 12 - 14.4 (N-m) 16.1 - 19.3 (kgf-m) 1.66 - 1.99	M6	(ft-lbs) 7.2 - 8.3 (N-m) 9.81 - 11.3 (kgf-m) 1.0 - 1.15	
5/16	(ft-lbs) 17 - 20.5 (N-m) 23.1 - 27.8 (kgf-m) 2.35 - 2.84	(ft-lbs) 24 - 29 (N-m) 32.5 - 39.3 (kgf-m) 3.31 - 4.01	M8	(ft-lbs) 17.4 - 20.2 (N-m) 23.6 - 27.4 (kgf-m) 2.4 - 2.8	(ft-lbs) 21.7 - 25.3 (N-m) 29.4 - 34.3 (kgf-m) 3.0 - 3.5
3/8	(ft-lbs) 35 - 42 (N-m) 47.5 - 57.0 (kgf-m) 4.84 - 5.82	(ft-lbs) 45 - 54 (N-m) 61.0 - 73.2 (kgf-m) 6.22 - 7.47	M10	(ft-lbs) 35.5 - 41.2 (N-m) 48.1 - 55.8 (kgf-m) 4.9 - 5.7	(ft-lbs) 44.9 - 52.1 (N-m) 60.8 - 70.5 (kgf-m) 6.2 - 7.2
1/2	(ft-lbs) 80 - 96 (N-m) 108.5 - 130.2 (kgf-m) 11.07 - 13.29	(ft-lbs) 110 - 132 (N-m) 149.2 - 179.0 (kgf-m) 15.22 - 18.27	M12	(ft-lbs) 57.2 - 66.5 (N-m) 77.5 - 90.1 (kgf-m) 7.9 - 9.2	(ft-lbs) 76.0 - 86.8 (N-m) 103 - 117 (kgf-m) 10.5 - 12.0
9/16	(ft-lbs) 110 - 132 (N-m) 149.2 - 179.0 (kgf-m) 15.22 - 18.27	(ft-lbs) 160 - 192 (N-m) 217.0 - 260.4 (kgf-m) 22.14 - 26.57	M14	(ft-lbs) 91.2 - 108 (N-m) 124 - 127 (kgf-m) 12.6 - 15.0	(ft-lbs) 123 - 144 (N-m) 167 - 196 (kgf-m) 17.0 - 20.0
5/8	(ft-lbs) 150 - 180 (N-m) 203.4 - 244.1 (kgf-m) 20.75 - 24.91	(ft-lbs) 220 - 264 (N-m) 298.3 - 358.0 (kgf-m) 30.44 - 36.53	M16	(ft-lbs) 145 - 166 (N-m) 196 - 225 (kgf-m) 20.0 - 23.0	(ft-lbs) 192 - 224 (N-m) 260 - 303 (kgf-m) 26.5 - 31.0

TIGHTENING TORQUE CHART

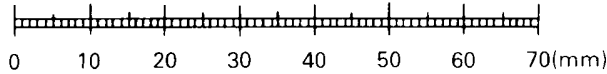
Thread size d (mm)	Hexa-Bolt Head size B (mm)	No mark			7T		
		ft-lbs	N-m	kgf-m	ft-lbs	N-m	kgf-m
M8	12 or 13	13.0 - 15.2 (14.1 ± 1.1)	17.8 - 20.6 (19.2 ± 1.4)	1.9 - 2.1 (2.0 ± 0.1)	17.5 - 20.3 (18.9 ± 1.4)	23.5 - 27.5 (25.5 ± 2.0)	2.4 - 2.8 (2.6 ± 0.2)
M10	14 or 17	28.9 - 33.3 (31.1 ± 2.2)	39.3 - 45.1 (42.2 ± 2.9)	4.0 - 4.6 (4.3 ± 0.3)	35.4 - 41.2 (38.3 ± 2.9)	48.1 - 55.9 (52.0 ± 3.9)	4.9 - 5.7 (5.3 ± 0.4)
M12	17 or 19	46.3 - 53.5 (49.9 ± 3.6)	62.8 - 72.6 (67.7 ± 4.9)	6.4 - 7.4 (6.9 ± 0.5)	57.1 - 66.5 (61.8 ± 4.7)	77.6 - 90.2 (83.9 ± 6.3)	8.0 - 9.2 (8.6 ± 0.6)
M14	19 or 22	79.6 - 92.6 (86.1 ± 6.5)	107.9 - 125.5 (116.7 ± 8.8)	11.0 - 12.8 (11.9 ± 0.9)	91.1 - 108.5 (99.8 ± 8.7)	123.6 - 147.0 (135.3 ± 11.7)	12.6 - 15.0 (13.8 ± 1.2)

NOTE :

- Figure "7" on the top of the bolt indicates that the bolt is of special material.
- Before tightening, check the figure on the top of bolt.



Scale



1BDABARAP006A

STORAGE



CAUTION

To avoid personal injury:

- Do not clean the machine with engine running.
- To avoid the danger of exhaust fume poisoning, do not operate the engine in a closed building without proper ventilation.
- When storing, remove the key to avoid unauthorized persons from operating the machine and getting injured.

MACHINE STORAGE

If you intend to store your machine for an extended period of time, follow the procedures outlined below. These procedures will insure that the machine is ready to operate with minimum preparation when it is removed from storage,

1. Check for loose bolts and nuts, and tighten if necessary.
2. Apply grease to machine areas where bare metal will rust also to pivot areas.
3. Inflate the tires to a pressure a little higher than usual.
4. Change the engine oil and run the engine to circulate oil throughout the engine block and internal moving parts for about five minutes.
5. With all implements lowered to the ground, coat any exposed hydraulic cylinder piston rods with grease.
6. Remove the battery from the machine. When disconnecting the cables from the battery, start with the negative terminal first. When connecting the cables to the battery, start with the positive terminal first.
7. Keep the machine in a dry place where the machine is sheltered from rain. Cover the machine.
8. Store the machine indoors in a dry area that is protected from sunlight and excessive heat. If the machine must be stored outdoors, cover it with a waterproof tarpaulin.
9. Jack the machine up and place blocks under the front and rear axles so that all four tires are off the ground. Keep the tires out of direct sunlight and extreme heat.

IMPORTANT :

- When washing the machine, be sure to stop the engine. Allow sufficient time for the engine to cool before washing.
- Cover the machine after the muffler and the engine have cooled down.

REMOVING THE MACHINE FROM STORAGE

1. Check the tire air pressure and inflate the tires if they are low.
2. Jack the machine up and remove the support blocks.
3. Install the battery. Before installing the battery, make sure it is fully charged.
4. Check the fan belt tension.
5. Check all fluid levels (engine oil, transmission/hydraulic oil, engine coolant and any attached implements).
6. Check all control levers and the brake for proper function free up or lubricate as necessary.
7. Start the engine. Observe all gauges. If all gauges are functioning properly and reading normal, move the machine outside.
8. Once outside, park the machine securely set the parking brake, place the control levers in the neutral lock position and let the engine idle for at least five minutes.
9. Shut the engine off and walk around machine and make a visual inspection looking for evidence of oil or water leaks.
10. With the engine fully warmed up, release the parking brake and test the brakes for proper adjustment as you move forward. Adjust the brakes as necessary.

TROUBLESHOOTING

ENGINE TROUBLESHOOTING

If something is wrong with the engine, refer to the table below for the cause and its corrective measure.

Trouble		Cause	Countermeasure
Engine is difficult to start or won't start		● No fuel flow.	● Check the fuel tank and the fuel filter. Replace filter if necessary.
		● Air or water is in the fuel system.	● Check to see if the fuel line coupler bolt and nut are tight. ● Bleed the fuel system. (See "SERVICE AS REQUIRED" in "PERIODIC SERVICE" section.)
		● In winter, oil viscosity increases, and engine revolution is slow.	● Use oils of different viscosities, depending on ambient temperatures.
		● Battery becomes weak and the engine does not turn over quick enough.	● Clean battery cables and terminals. ● Charge the battery. ● In cold weather, always remove the battery from the engine, charge and store it indoors. Install it on the machine only when the machine is going to be used.
Insufficient engine power.		● Insufficient or dirty fuel. ● The air cleaner is clogged.	● Check the fuel system. ● Clean the element.
Engine stops suddenly.		● Insufficient fuel.	● Refuel. ● Bleed the fuel system if necessary.
Exhaust fumes are colored.	Black	● Fuel quality is poor. ● Too much oil. ● Engine is overloaded.	● Change the fuel and fuel filter. ● Check the proper amount of oil. ● Reduce engine load.
	Blue white	● The inside of exhaust muffler is dumped with fuel. ● Injection nozzle trouble. ● Fuel quality is poor.	● Heat the muffler by applying load to the engine. ● Check the injection nozzle. ● Change the fuel and fuel filter.
Engine overheats.		● Engine overloaded.	● Lower speed or reduce load.
		● Low coolant level.	● Fill cooling system to the correct level; check radiator and hoses for loose connections or leaks.
		● Loose or defective fan belt.	● Adjust or replace fan belt.
		● Dirty radiator core or grille screens.	● Remove all trash.
		● Coolant flow route corroded.	● Flush cooling system.

If you have any questions, contact your local KUBOTA Dealer.

BATTERY TROUBLESHOOTING

Trouble	Cause	Countermeasure	Preventive measure
Starter does not function.	● Battery overused until lights are dim.	● Charge battery sufficiently.	● Charge the battery properly.
	● Battery has not been recharged.		
	● Poor terminal connection.	● Clean the terminal and tighten securely.	● Keep the terminal clean and tight. Apply grease and treat with anti-corrosives.
	● Battery life expired.	● Renew battery.	
From beginning starter does not function, and lights soon become dim.	● Insufficient charging.	● Charge battery sufficiently.	● Battery must be serviced properly before initial use.
When viewed from top, the top of plates look whitish.	● Battery was used with an insufficient amount of electrolyte.	● Add distilled water and charge the battery.	● Regularly check the electrolyte level.
	● Battery was used too much without recharging.	● Charge battery sufficiently.	● Charge the battery properly.
Recharging is impossible.	● Battery life expired.	● Replace battery.	
Terminals are severely corroded and heat up.	● Poor terminal connection.	● Clean the terminal and tighten securely.	● Keep the terminal clean and tight. Apply grease and treat with anti-corrosives.
Battery electrolyte level drops rapidly.	● There is a crack or pin holes in the electrolytic cells.	● Replace battery.	
	● Charging system trouble.	● Contact your local KUBOTA Dealer.	

If you have any questions, contact your local KUBOTA Dealer.

MACHINE TROUBLESHOOTING

Trouble	Cause	Countermeasure
Machine operation is not smooth.	● Hydrostatic transmission fluid is insufficient.	● Replenish oil.
	● Filter is clogged.	● Replace the filter.
Machine does not move while engine is running.	● Parking brake is on.	● Release the parking brake.
	● Transmission fluid level is insufficient.	● Replenish oil.
Machine moves when motion control levers are in "NEUTRAL LOCK" position. (Engine is operated.)	● Motion control rod is not correctly adjusted.	● Ask your dealer for hydrostatic lever linkage adjustment or pressure adjustment.
	● Control linkage pivots are sticking.	● Full up and lubricate linkage.

If you have any questions, contact your local KUBOTA Dealer.

MOWER TROUBLESHOOTING

Trouble	Cause	Countermeasure
Blade does not rotate.	● PTO system is not normal: PTO system malfunctioning.	● See your Kubota Dealer.
	● PTO system is normal: Broken mower belt.	● Replace.
Mower belt slipping.	● Weaken tension spring.	● Replace.
	● Worn mower belt.	● Replace.
	● Mower plugged.	● Unplug and clean mower deck.
	● Debris in pulleys.	● Clean.
Discharge chute plugged.	● Grass too wet.	● Wait for grass to dry.
	● Grass too long.	● Raise cutting height and cut grass twice.
	● Cutting too low.	● Raise cutting height.
	● Engine rpm too low.	● Mow at full throttle.
	● Ground speed too fast.	● Slow down.
Streaking of grass uncut.	● Ground speed too fast.	● Slow down.
	● Engine rpm too low.	● Mow at full throttle, check and reset engine rpm.
	● Grass too long.	● Cut grass twice.
	● Blades dull or damaged.	● Replace blades or have blades sharpened.
	● Debris in mower deck.	● Clean mower deck.
Uneven cut.	● Mower deck not level.	● Level mower deck.
	● Ground speed too fast.	● Slow down.
	● Blades dull.	● Have blades sharpened.
	● Blades worn or damaged.	● Replace blades.
	● Low tire inflation.	● Add air to correct pressure.
	● Anti-scalp rollers not adjusted correctly.	● Adjust anti-scalp rollers.
	● Wheels pressure not adjusted correctly.	● Set both tire pressure to the correct pressure. (See "TIRES" in "TIRES AND WHEELS" section.)
Blades scalping grass.	● Cutting height too low.	● Raise cutting height.
	● Turning speed too fast.	● Reduce speed on turns.
	● Ridges in terrain.	● Change mowing pattern.
	● Rough or uneven terrain.	● Adjust wheels pressure and anti-scalp rollers.
	● Anti-scalp rollers not adjusted correctly.	● Adjust wheels pressure and anti-scalp rollers.
	● Bend blade(s).	● Replace blade(s).

Trouble	Cause	Countermeasure
Excessive vibration.	● Debris on mower deck or in pulleys.	● Clean mower deck and pulleys.
	● Damaged mower belt.	● Replace mower belt.
	● Damaged pulleys.	● Replace pulleys.
	● Pulleys out of alignment.	● Check pulleys.
	● Blades out of balance.	● Have blades balanced.
Mower loads down machine.	● Engine rpm too low.	● Mow at full throttle, check and reset engine rpm.
	● Ground speed too fast.	● Slow down.
	● Debris wrapped around mower spindles.	● Clean mower.
	● Front of deck too low.	● Adjust mower deck. (See "MOWER DECK LEVEL" in "ADJUSTMENT" section.)

If you have any questions, contact your local KUBOTA Dealer.

KUBOTA Corporation is ...

Since its inception in 1890, KUBOTA Corporation has grown to rank as one of the major firms in Japan.

To achieve this status, the company has through the years diversified the range of its products and services to a remarkable extent, until today, 19 plants and 16,000 employees produce over 1,000 different items, large and small.

All these products and all the services which accompany them, however, are unified by one central commitment. KUBOTA makes products which, taken on a national scale, are basic necessities. Products which are indispensable, products intended to help individuals and nations fulfill the potential inherent in their environment. For KUBOTA is the Basic Necessities Giant.

This potential includes water supply, food from the soil and from the sea, industrial development, architecture and construction, and transportation.

Thousands of people depend on KUBOTA's know-how, technology, experience and customer service. You too can depend on KUBOTA.

KUBOTA Corporation es ...

Desde su creación en 1890, KUBOTA Corporation ha crecido hasta convertirse en una de las empresas más importantes de Japón.

Para conseguir esta posición, la empresa a lo largo de los años, ha diversificado la gama de sus productos y servicios de forma notable, hasta llegar hoy en día, con 19 fábricas y 16.000 empleados a fabricar por encima de 1.000 elementos distintos grandes y pequeños.

Todos estos productos y todos los servicios que los acompañan, sin embargo están unificados por un compromiso central. KUBOTA fabrica productos que, tomados a escala nacional, cubren necesidades básicas. Productos que son indispensables, productos destinados a ayudar a las personas y a las naciones y a desarrollar el potencial inherente de su entorno. Por eso KUBOTA es el gigante de las necesidades básicas.

Estas aptitudes potenciales incluyen el abastecimiento de aguas, la producción de alimentos en la tierra y en el mar, el desarrollo industrial, la arquitectura y la construcción, y el transporte.

Miles de personas confían en el saber hacer de KUBOTA y su tecnología, experiencia y servicio al cliente. Usted también puede confiar en KUBOTA.